



MANUAL SLIDING DOOR SYSTEMS

AGILE 50
AGILE 150 / AGILE 150 Syncro
AGILE 150 DORMOTION
RSP 80
RS 120 / RS 120 Syncro





CONTENTS



AGILE 50
6-18



AGILE 150
AGILE 150 Syncro
20-41



AGILE 150 DORMOTION
42-59



RSP 80
60-65



RS 120
RS 120 Syncro
66-72



Accessories
73-78

DESIGN YOUR ROOMS THE WAY YOU WANT THEM

Whether for living or office areas, wherever elegant transitions from one room to another need to be provided, toughened glass dividers offer the architectural elegance of open, transparent, inviting access. Sliding doors also add a certain lightness and a more generous appearance to small rooms. Easy-to-install solutions mean that your space-defining idea in glass can be readily made reality.

AGILE 50

With a track height of just 49 mm, the AGILE 50 is particularly discreet in appearance. The concealed clamp-type carriers are capable of operating glass panels weighing up to 50 kg.

AGILE 150

Concealed in an aluminium track, the carriers of the AGILE 150 can operate sliding doors with individual panel weights of up to 150 kg – with each panel again simply clamped in position. In the case of timber doors, an adapter profile is used to connect the track roller system to the wooden panels.

AGILE 150 DORMOTION

Based on the AGILE 150, this system offers the additional convenience of the DORMOTION unit, a damper-spring mechanism capable of gently cushioning the sliding door as it approaches either end position, and then guiding it to the required engage point.

Applications and features	AGILE 50
Suspended sliding door	●
Integrated / concealed carrier	●
1 panelled sliding door	●
Two panelled bi-parting sliding door	○ ²⁾
Syncro version	
End-position engage cushioning	
Installation at wall	●
Installation at wall; Version with large glass-to-wall clearance for bridging existing frames	●
Installation at ceiling	●
Installation at glass	●
System integration of fixed sidelights	●
Timber sliding door possible	
Panel attachment with no glass preparation ¹⁾	●
Measures and weights	
Max. sliding panel weight (kg)	50
Min. sliding panel width (mm) DORMOTION Typ L/XL for installation at glass	
Max. sliding panel width (mm)	
Max. sliding panel height (mm)	2.500
Glass thicknesses (mm) sliding panel	8 – 10
Timber thickness (mm) sliding panel	
Glass thicknesses (mm) integrated sidelights	
Page	6

RSP 80

This sliding door system comes with a visible roller assembly capable of carrying glass or timber door panels of up to 80 kg suspended from the track. A plastics running surface ensures particularly smooth and quiet operation.

RS 120

Robust clamp-type carriers designed for glass or timber panels up to 120 kg. The visible system surface and finish is achieved on the basis of clip-on cover profiles.

AGILE 150	AGILE 150 DORMOTION	RSP 80	RS 120
●	●	●	●
●	●		●
●	●	●	●
●	●	●	●
●			●
●	●	●	●
●	●		
●	●		●
●	●	●	
●	●		●
●	●		●
●			●
150	80 / 150 ⁴⁾	80	80 / 120 / 150 ³⁾
	830 / 1.160		
	910 / 1.160		
	1.410 ⁴⁾	1.080	
3.000	3.000		
8–13,5	8–13,5	8, 10	8, 10, 12
28–40	28–40	25–40	26–35
8–13,5	8–13,5		
20	42	60	66

- 1) Glass machining only necessary for individual thumbturn or other handle types.
- 2) On request
- 3) 80 kg in the case of the Syncro version.
120 kg for glass or timber panels with two carriers.
150 kg for glass panels with three carriers.
- 4) Max. dimensions for timber panels (unlimited in the case of glass panels).

● Standard ○ Optional

AGILE 50

General information

8-9

Typical assemblies

10-13

Fitting modules

14-15

Component parts

16-17

Accessories

18 / 75-78





AGILE 50

TINY DIMENSIONS – TREMENDOUS BENEFITS

Superb track geometry

Height 49 mm x width 46 mm (ceiling / wall / direct track / wall / side screen version) – these are the telling dimensions of the AGILE 50 – a further departure in tempered glass sliding door systems. Moreover, all the operational equipment has been integrated again out of sight within the track section – despite its dainty size. The elegantly and intricately designed profile eliminates the need for the cover sections required by other systems. It can be surface-treated in all the well-known anodised finishes and RAL colours. Stability and torsional stiffness constitute further important properties inherent in the new track geometry.

Minimal gap

The minimised dimensions of the track profile and integration of the complete operational equipment within its section automatically give rise to very small clearances between the glass and wall or glass.

Sophisticated track roller technology

The AGILE 50 is able to meet a wide variety of customer requirements - up to and including their highest demands. Just two maintenance-free clamp-type carriers can support and transport glass panels of up to 50 kg. This is ensured by their special track roller technology. In terms of ease of operation, AGILE is able to satisfy the Class 3 criteria of EN 1527 – and that means a force equivalent to 30 N needs to be applied in order to overcome the initial friction and thus set the door in motion.

Reliable stop

The doors are, of course, decelerated as well as being reliably held in both their closed and opened states by specially developed catch-type buffers.

Elegant floor guide

The AGILE floor track offers an impressive combination of effective functionality and attractive design. Its two-part construction means it is very easy to install, and its infinite adjustability between 8 and 13.5 mm ensures safe and secure guidance of the glass panels.

One system – many solutions

The AGILE 50 offers versatility in the truest sense of the word. The system can be fixed either at the wall and to the ceiling respectively or to a glass over-panel.

No glass preparation

With clamp-type fittings, the need to drill and cut the glass is eliminated. Based on wide-ranging glass fabrication expertise, the suspension mounting has been designed so that the panels can be safely retained by the clamping effect alone. Installation is simple and uncomplicated and the time required – including that for glass panel production – is reduced to a minimum. The variable clamp-type carriers are able – as standard – to engage glass thicknesses between 8 and 10 mm. A further advantage of the clamp-type carrier: even after the installation of the glass panels, in situ vertical adjustment of +5/-3 mm can be carried out as required.

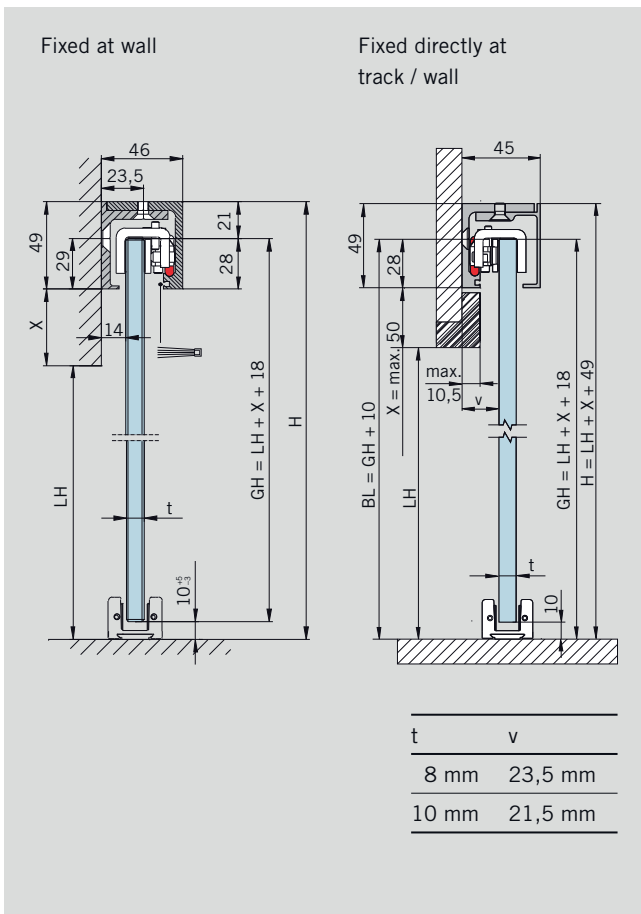
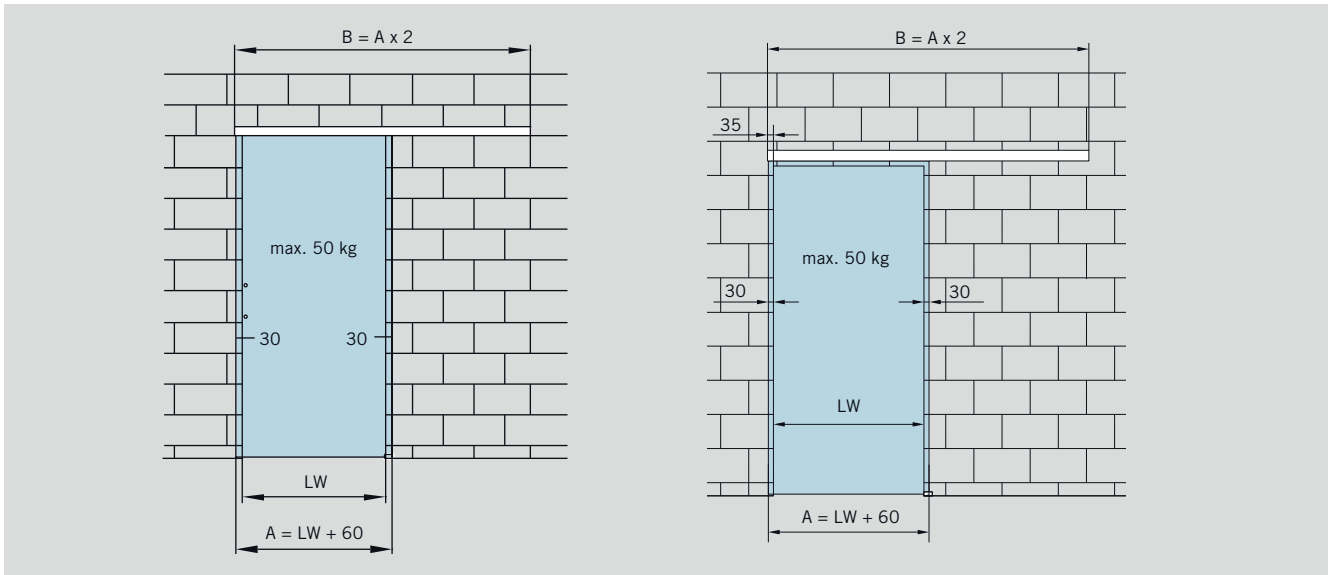
Long service life

The exceptional longevity of the system has also been proven in protracted tests involving more than 50,000 operating cycles (performed to DIN EN 1527). And you will also find that the AGILE 50 takes corrosion resistance to a new level. So there are no obstacles to its installation and use in humid areas. Due to chemicals (e. g. chlorine) that may occur in the air of swimming pools, saunas and brine baths the fittings are as a rule not suitable for use in such environments. If you have an application such as this in mind nevertheless, we will be pleased to advise you further.

Modular system

The inherent handling ease coupled with a thoroughly systematic approach will greatly facilitate your planning work when implementing the AGILE 50 concept. Several set solutions for different fixing situations are available.

TYPICAL ASSEMBLIES FIXED AT WALL OR DIRECTLY AT TRACK/WALL



Features and Data

For installations with one door leave; fixed at wall or directly at track / wall; for 8–10 mm glass thickness.

Max. weight of door panels
50 kg

Calculation of glass height

Fixed at wall:
 $GH = LH + X + 18 \text{ mm}$

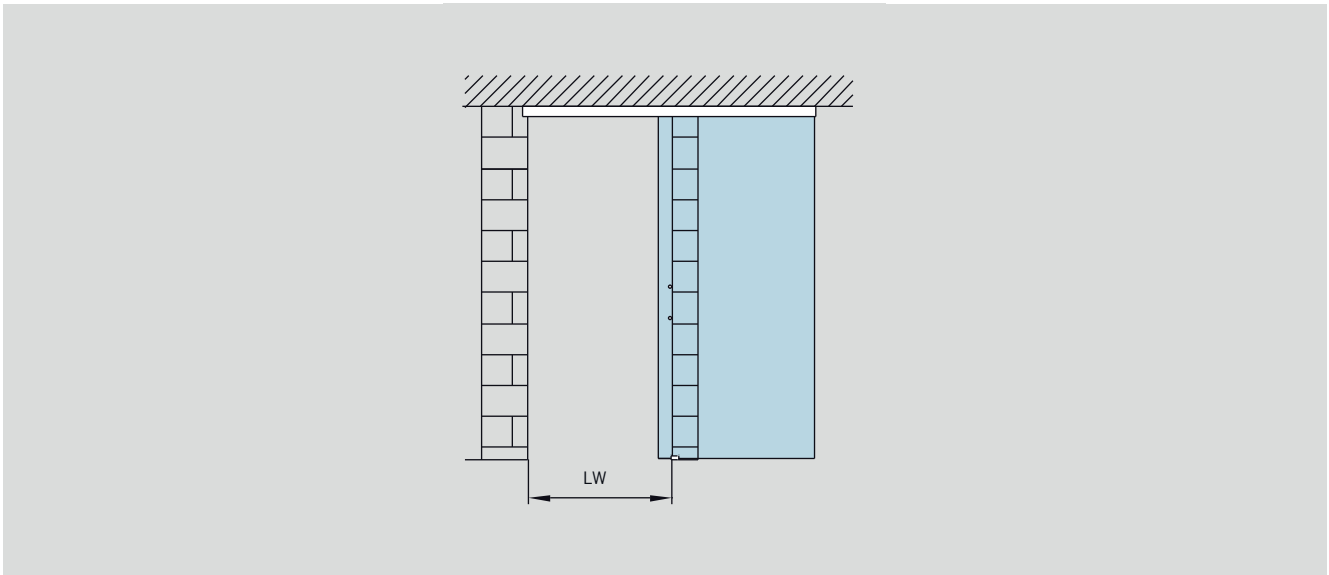
Calculation of glass width

$A = LW + 60 \text{ mm}$
(min. 500 mm)

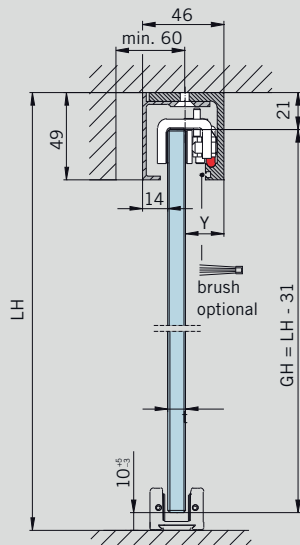
Torque for screws in the clamp-carriers
2 Nm

- A = Glass width
- B = Length of track
- BL = Drilling line
- GH = Glass height
- H = All over height
- LH = Clear opening height
- LW = Clear opening width
- t = Glass thickness
- v = Distance wall to glass

TYPICAL ASSEMBLIES FIXED AT CEILING



Fixed at ceiling



t	Y
8 mm	24 mm
10 mm	22 mm

Features and Data

For installations with one door leave; fixed at ceiling; for 8–10 mm glass thickness.

Max. weight of door panels

50 kg

Calculation of glass height

Fixed at ceiling:

$$GH = LH - 31 \text{ mm}$$

(see drawing)

Calculation of glass width

$$A = LW + 60 \text{ mm}$$

(min. 500 mm)

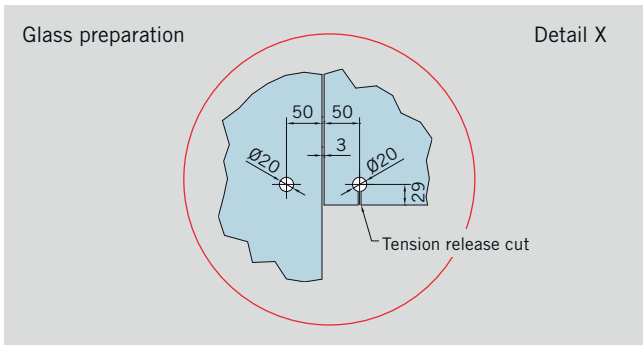
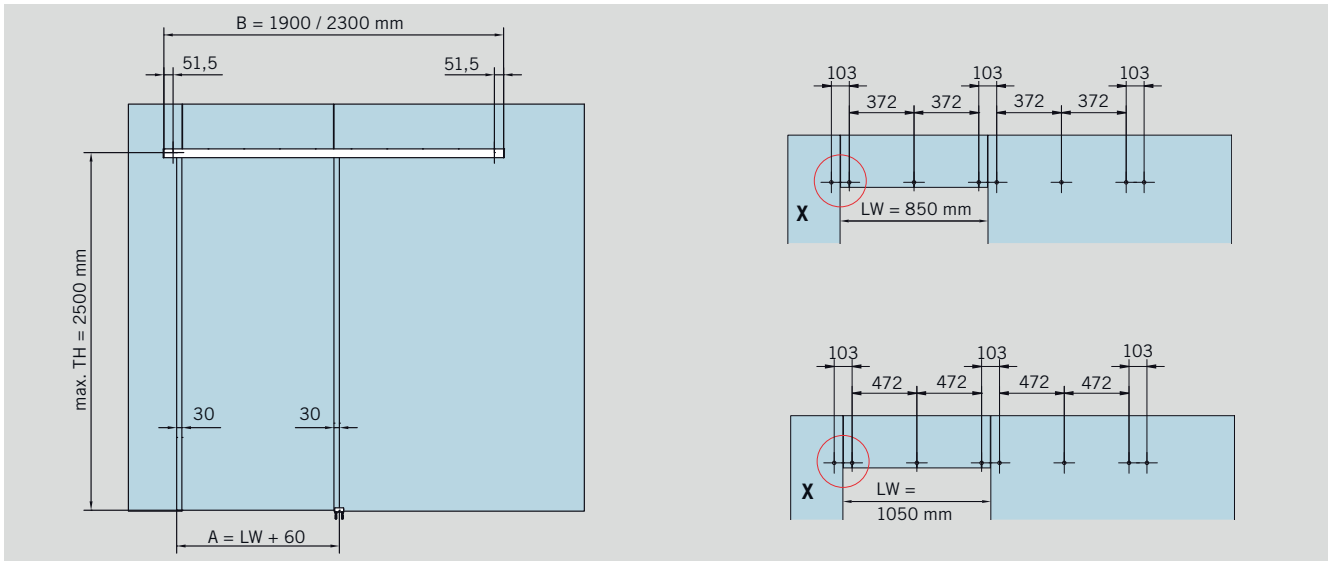
Torque for screws in the

clamp-carriers

2 Nm

- A = Glass width
- B = Length of track
- GH = Glass height
- H = All over height
- LH = Clear opening height
- LW = Clear opening width
- t = Glass thickness
- Y = 46 mm – (14 mm + t)

COMPACT TYPICAL ASSEMBLIES SLIDING DOOR SETS, FIXED AT GLASS



Features and Data

For installations with one door leave; fixed at overpanel; for 8–10 mm glass thickness.

Max. weight of door panels
50 kg

Calculation of door height

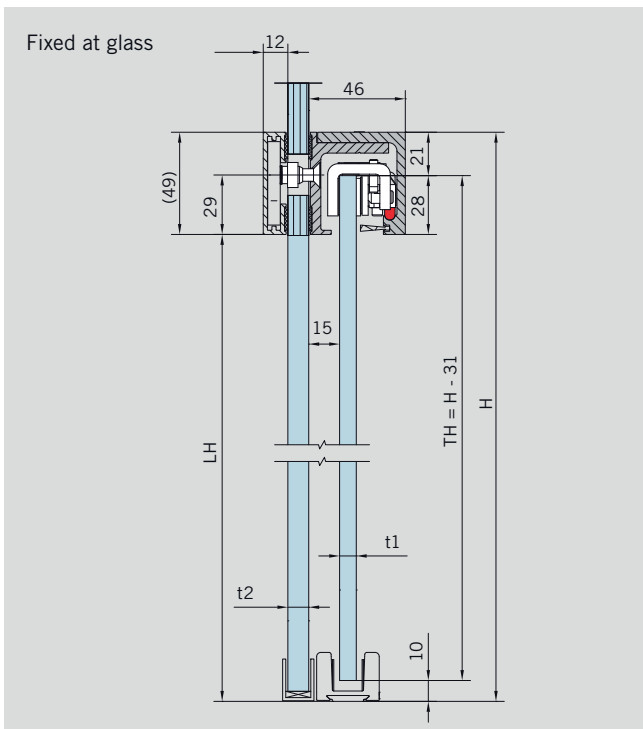
Fixed at wall:
 $TH = H - 31$ mm (see drawing)

Calculation of glass width

$A = LW + 60$ mm

Torque for screws in the clamp-carriers

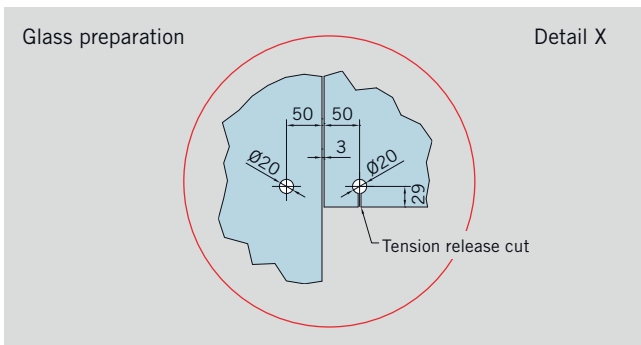
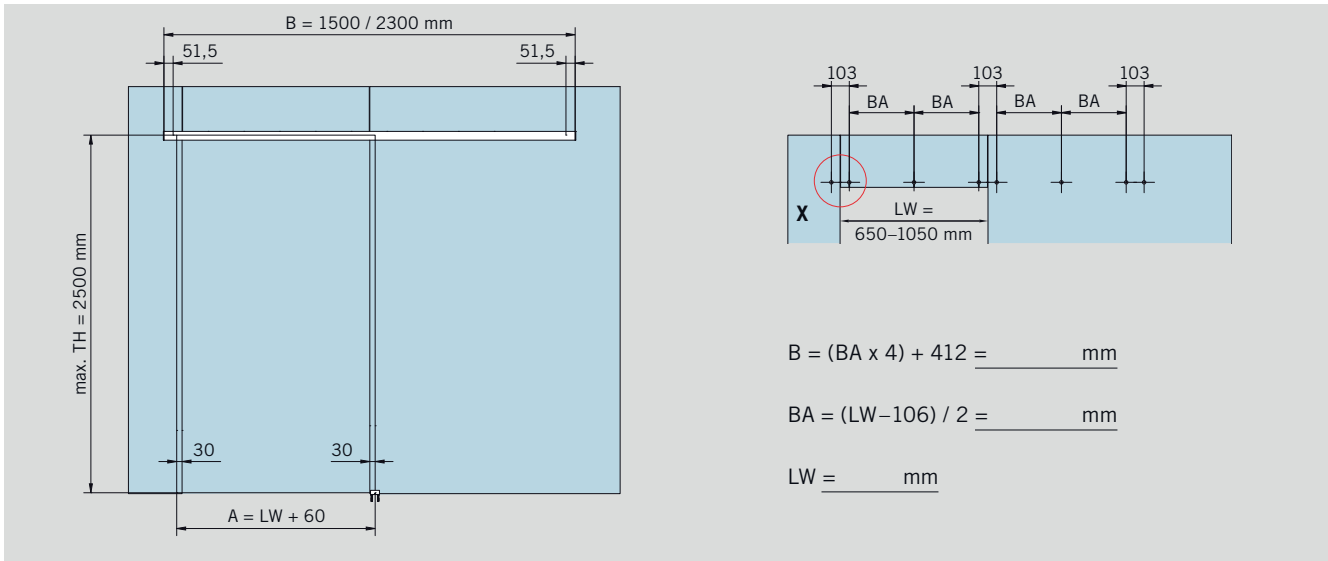
2 Nm



- A = Glass width
- B = Length of track
- H = Total height
- LH = Clear opening height
- LW = Clear opening width
- TH = Door height
- t1 = Glass thickness sliding door (8/10 mm)
- t2 = Glass thickness fixed panel (10–19 mm)

To ensure a correct and aligned mounting of the track rail, a fully supporting fixed panel must be installed.

CONCEPT TYPICAL ASSEMBLIES SLIDING DOOR SETS, FIXED AT GLASS



Features and Data

For installations with one door leave; fixed at overpanel; for 8-10 mm glass thickness.

Max. weight of door panels

50 kg

Calculation of door height

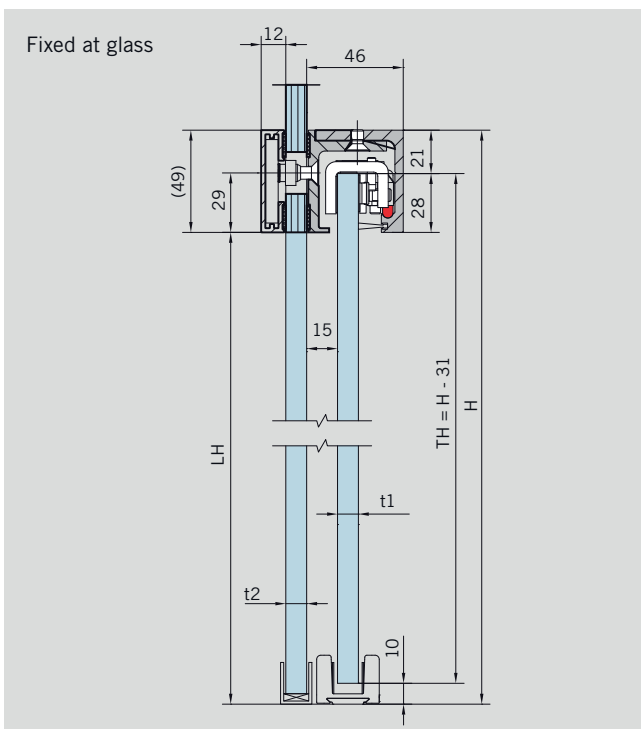
Fixed at wall:
 $TH = H - 31 \text{ mm}$ (see drawing)

Calculation of glass width

$A = LW + 60 \text{ mm}$

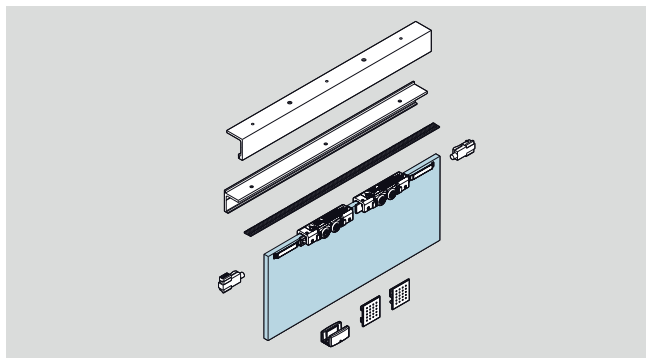
Torque for screws in the clamp-carriers

2 Nm



- A = Glass width
- B = Length of track
- BA = Drilling distance
- H = Total height
- LH = Clear opening height
- LW = Clear opening width
- TH = Door height
- t = Glass thickness
sliding door (8/10 mm)
- t2 = Glass thickness
fixed panel (10-19 mm)

SLIDING DOOR SETS FIXED AT WALL OR TO CEILING

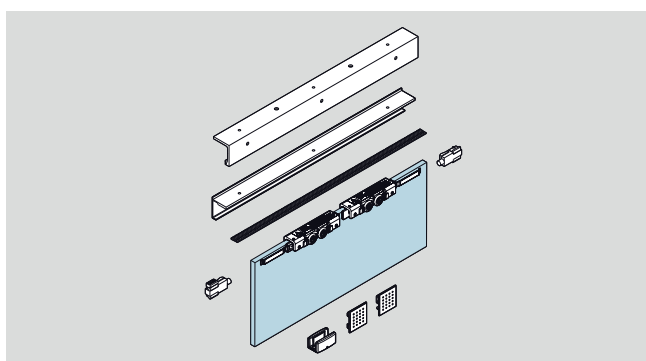


AGILE 50 Sliding door set

Track fixed at wall

complete, consisting of
 1 track,
 1 angle profile,
 2 clamp-carriers (for 8–10 mm glass thickness) with stabilizer,
 2 endstops with safety catch,
 1 AGILE floor guide

Panel width	950	1450
Track	1900	2900
Art. No.	07.410	07.413

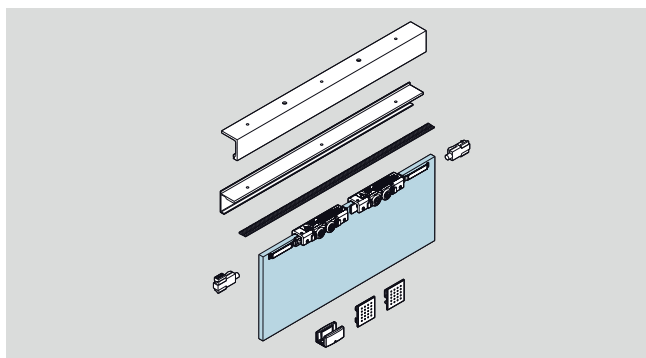


AGILE 50 Sliding door set

Fixed directly at track / wall

complete, consisting of
 1 track,
 1 angle profile,
 2 clamp-carriers (for 8–10 mm glass thickness) with stabilizer,
 2 endstops with safety catch,
 1 AGILE floor guide

Panel width	950	1450
Track	1900	2900
Art. No.	07.427	07.428

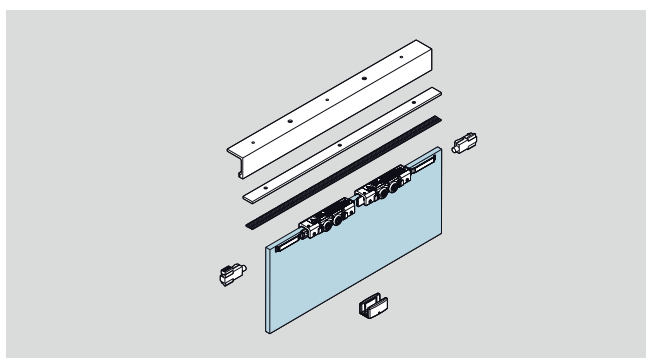


AGILE 50 Sliding door set

Track fixed at ceiling

complete, consisting of
 1 track,
 1 cover profile,
 2 clamp-carriers (8–10 mm glass thickness) with stabilizer,
 2 endstops with safety catch,
 1 AGILE floor guide

Panel width	950	1450
Track	1900	2900
Art. No.	07.411	07.414



AGILE 50 Sliding door set

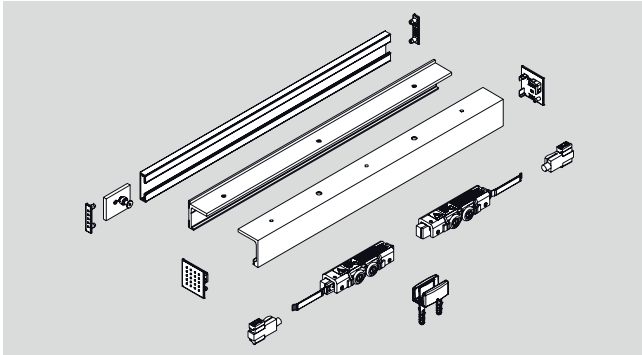
Track fixed at ceiling

– without cover profile

complete, consisting of
 1 track,
 2 clamp-carriers (8–10 mm glass thickness) with stabilizer,
 2 endstops with safety catch,
 1 AGILE floor guide

Panel width	950	1450
Track	1900	2900
Art. No.	07.412	07.415

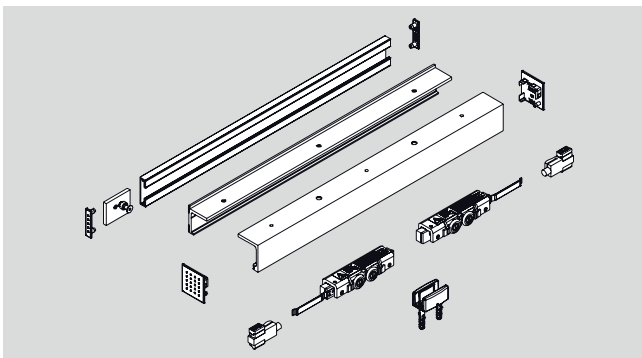
COMPACT SLIDING DOOR SETS, FIXED AT GLASS, FOR SELECTED CLEAR OPENING WIDTH



AGILE 50 sliding door set fixed at glass

complete, consisting of:
AGILE 50 track, counter profile,
incl. fixing plates,
AGILE 50 accessory set,
end caps,
view protection brushes
Art. No. 07.713

Clear opening width	850	1050
Track	1900	2300
Art. No.	07.410	07.413

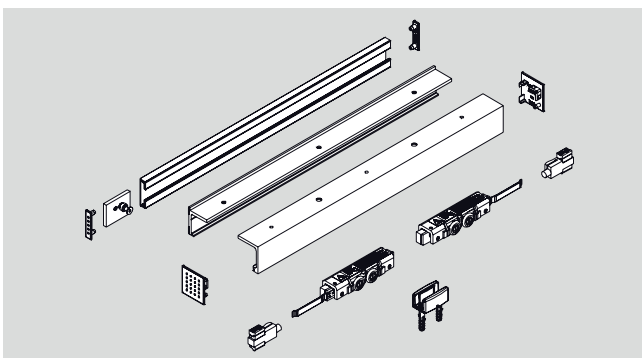


AGILE 50 sliding door set fixed at glass

complete, consisting of:
AGILE 50 track (2300 mm),
counter profile (2300 mm),
incl. fixing plates,
AGILE 50 accessory set,
end caps
view protection brushes

Art. No. 07.714

CONCEPT SLIDING DOOR SET, FIXED AT GLASS, FOR INDIVIDUAL CLEAR OPENING WIDTH

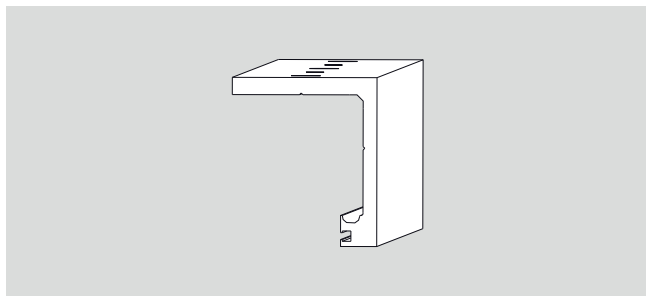


AGILE 50 sliding door set fixed at glass

for individual clear opening
width 650 – 1050 mm
consisting of: AGILE 50 track
(1500 – 2300 mm),
counter profile (1500 – 2300 mm),
incl. fixing plates,
AGILE 50 accessory set,
end caps,
view protection brushes

Art. No. 07.715

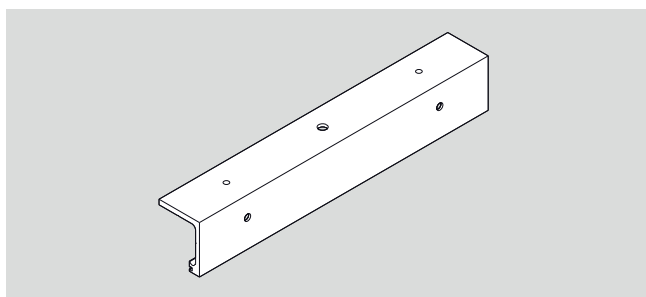
COMPONENT PARTS FIXED AT WALL, DIRECTLY AT TRACK/WALL OR TO CEILING



AGILE 50 track profile for ceiling/wall fixing, drilled

Art. No. 07.440
stock length 6000 mm

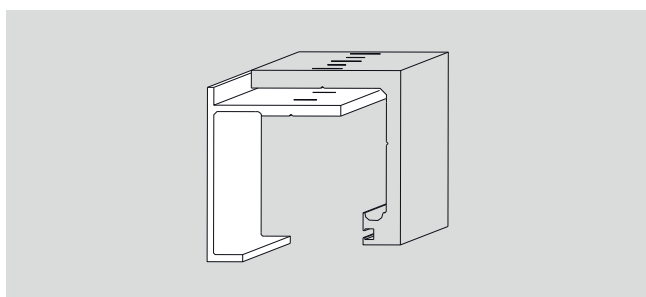
Art. No. 07.450
in fixed length



AGILE 50 track profile for direct track fixing to wall (without sidelights), drilled

Art. No. 07.444
in combination with 07.441
stock length 6000 mm

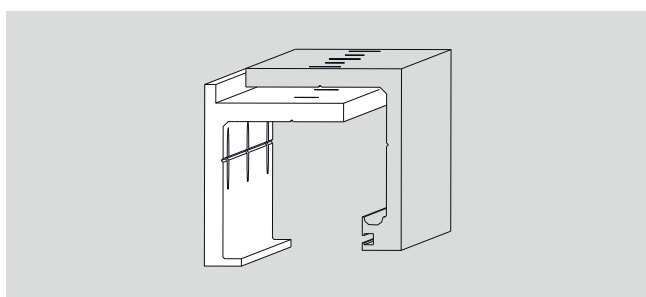
Art. No. 07.454
in combination with 07.451
in fixed length



AGILE 50 cover profile with ceiling fixing, to be clipped on the AGILE track rail Art. No. 07.440/450 + 07.444/454

Art. No. 07.441
stock length 6000 mm

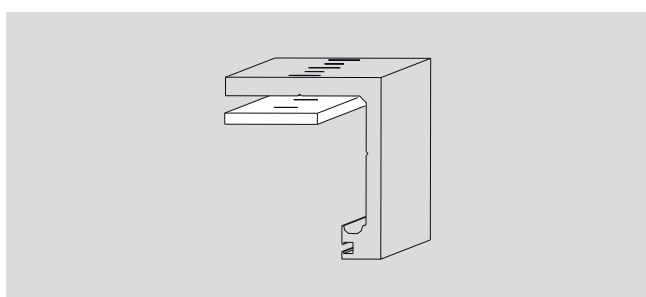
Art. No. 07.451
in fixed length



AGILE 50 angle profile with wall fixing, for track rail Art. No. 07.440/450, drilled

Art. No. 07.442
stock length 6000 mm

Art. No. 07.452
in fixed length

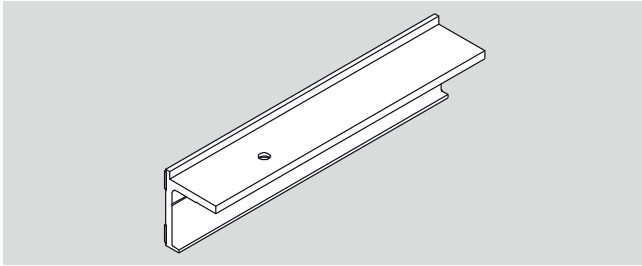


AGILE 50 additional sheet profile, necessary with ceiling fixing without cover profile

Art. No. 07.443
stock length 6000 mm

Art. No. 07.453
in fixed length

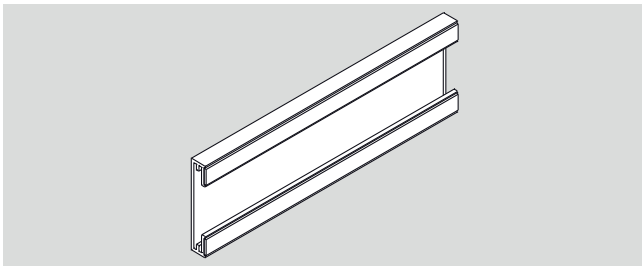
COMPONENT PARTS FIXED AT GLASS



AGILE 50 glass connection profile
fixed at glass

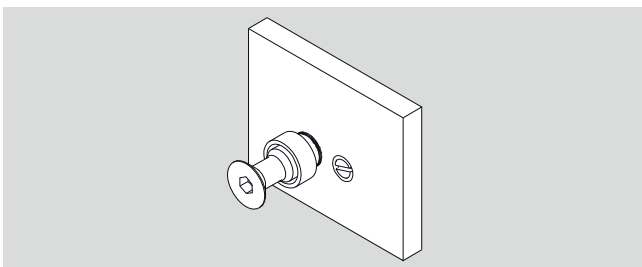
Art. No. 07.716
stock length 6000 mm

Note: The profile has to be adapted with drillings for fixing to glass individually on site.



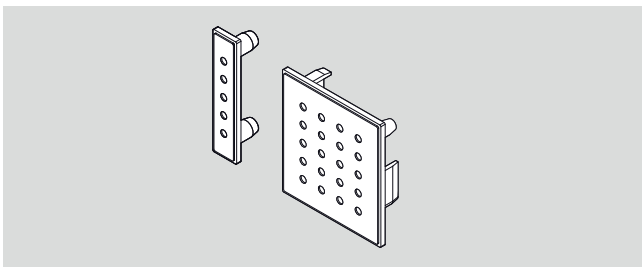
AGILE 50 counter profile
fixed at glass

Art. No. 07.717
stock length 6000 mm



AGILE 50/150 fixing plates
fixed at glass
(bag with 2 pcs.),
incl. connecting screws

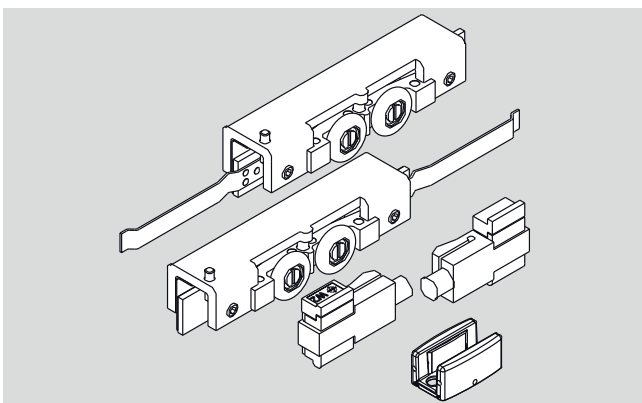
Art. No. 07.282



AGILE 50 set end caps
fixed at glass
(track + counter profile each
left/right)

Art. No. 07.732

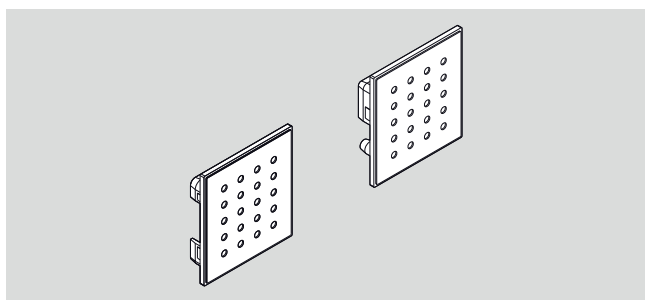
AGILE 50 ACCESSORY SET



AGILE 50 accessory set
complete consisting of:
2 clamp-carriers (for 8 and
10 mm glass thicknesses) with
stabilizer,
2 endstops with safety catch,
1 AGILE floor guide

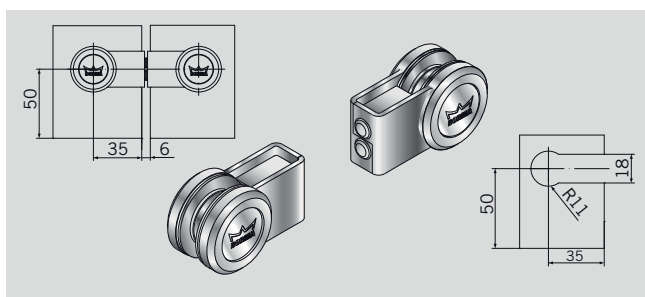
Art. No. 07.425

ACCESSORIES



AGILE 50 end cap

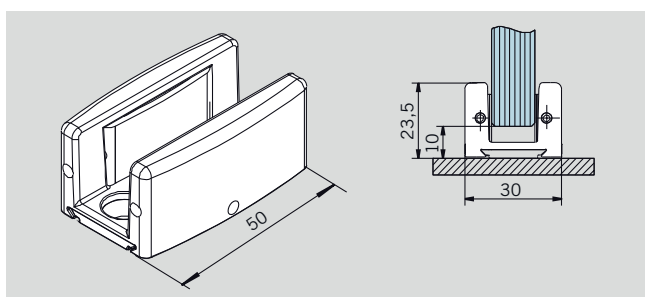
Art. No. 07.727



Spacer

for sliding doors that move in opposite directions

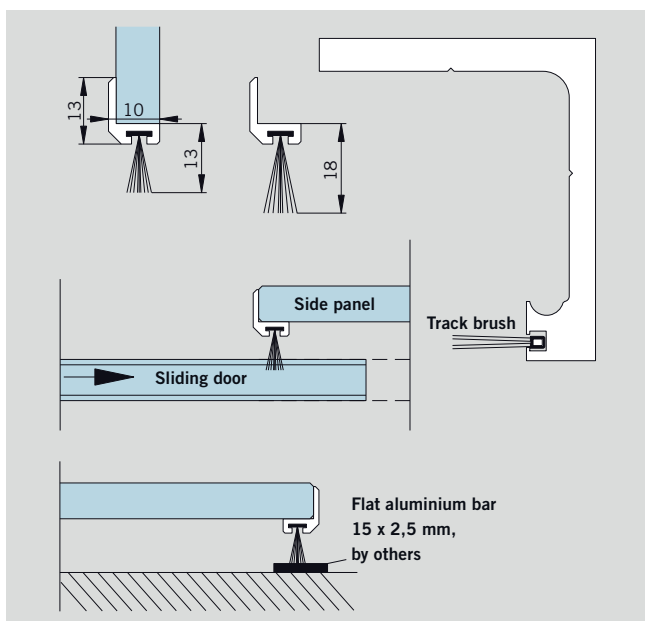
Art. No. 29.420



AGILE floor guide,

adjustable for 8, 10, 12 and 13.5 mm glass thicknesses

Art. No. 07.316



Brush profile,

for gaps up to 13 mm

Art. No. 07.400

stock length 3000 mm

Art. No. 07.401

in fixed length (max. 3000 mm)

Brush profile,

for gaps up to 18 mm,

Art. No. 07.402

stock length 3000 mm

Art. No. 07.403

in fixed length (max. 3000 mm)

Track brush

Art. No. 07.424

length 1250 mm

AGILE 150/AGILE 150 SYNCRO

General information

22–23

Fitting modules

32–33

**Typical assemblies
glass applications fixed
at wall + to glass**

24–27

Component parts

34–36

Accessories

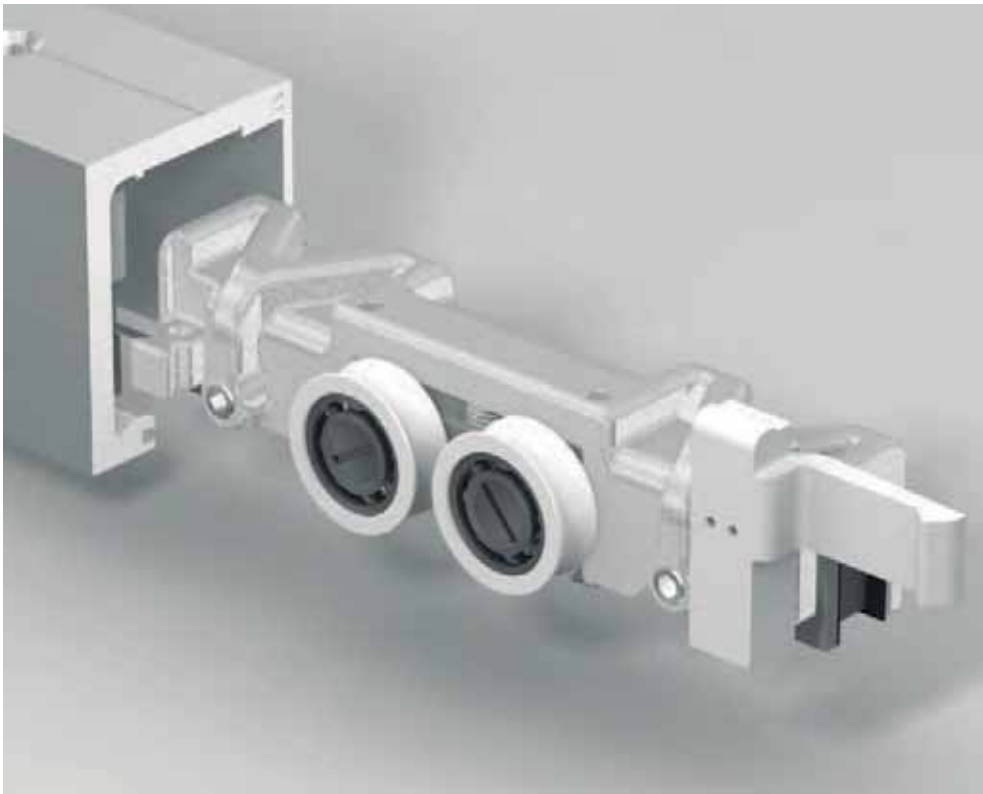
37–41 / 75–78

**Typical assemblies
timber applications**

28

**Typical assemblies
sets fixed at glass**

30–31





AGILE 150/AGILE 150 SYNCRO

TINY DIMENSIONS – TREMENDOUS BENEFITS

Superb track geometry

Height 63 mm x width 54/58/72 mm (ceiling / wall / direct track / wall / side screen version) – these are the telling dimensions of the AGILE 150 sliding door system. Moreover, all the operational equipment has been integrated out of sight within the track section – despite its dainty size. The elegantly and intricately designed profile eliminates the need for the cover sections required by other systems. It can be surface-treated in all the well-known anodised finishes and RAL colours. Stability and torsional stiffness constitute further important properties inherent in the AGILE 150 track geometry.

Minimal gap

The minimised dimensions of the track profile and integration of the complete operational equipment within its section automatically give rise to very small clearances between the glass and wall or glass / glass components. Depending on the fixing method, gaps from just 12 mm (13.5 mm glass thickness) to 18 mm (8 mm glass thickness) are typical.

Sophisticated track roller technology

The AGILE 150 is able to meet a wide variety of customer requirements - up to and including their highest demands. Just two maintenance-free clamp-type carriers can support and transport glass panels of up to 150 kg. This is ensured by their special track roller technology, one which as well has proven successful over many years in applications involving horizontal sliding walls (DORMA HSW systems). In terms of ease of operation, AGILE is able to satisfy the Class 3 criteria of EN 1527 – and that means a force equivalent to just 4 % max. of the door mass needs to be applied in order to overcome the initial friction and thus set the door in motion. So there is a guarantee that even large doors can be operated without undue effort.

Ease of operation acc. to EN 1527, Class 3 (example:)
 Glass pane height 3,000 mm
 width 1,400 mm
 thickn. 12 mm
 weight 128 kg
 Allowed initial friction acc. to EN 1527: 51 N
 Reached initial friction with AGILE 150: 22 N.

Reliable stop

The doors are, of course, gently decelerated as well as being reliably held in both their closed and opened states by specially developed catch-type buffers.

Elegant floor guide

The AGILE floor track offers an impressive combination of effective functionality and attractive design. Its two-part construction means it is very easy to install, and its infinite adjustability between 8 and 13.5 mm ensures safe and secure guidance of the glass panels.

One system – many solutions

The AGILE 150 offers versatility in the truest sense of the word. The system can be fixed at the wall, to the ceiling or along a lintel in either its single-panel or double-panel configuration, and with or without fixed side screens. It can also be installed with a glass overpanel. If preferred, a timber sliding panel can be used instead of the glass version.

No glass preparation

With clamp-type fittings, the need to drill and cut the glass is eliminated. Based on wide-ranging glass fabrication expertise, the suspension mounting has been designed so that the panels can be safely retained by the clamping effect alone. Installation is simple and uncomplicated and the time required – including that for glass panel production – is reduced to a minimum. The variable clamp-type carriers are able – as standard – to engage glass thicknesses between 8 and 13.5 mm and are continuously adjustable. A further advantage of the clamp-type carrier: even after the installation of the glass panels, in situ vertical adjustment of +/-5 mm can be carried out as required.

Long service life

The exceptional longevity of the system has also been proven in protracted tests involving more than 100,000 operating cycles (performed to DIN EN 1527). And you will also find that the AGILE 150 takes corrosion resistance to a new level. So there are no obstacles to its installation and use in humid areas. Due to chemicals (e. g. chlorine) that may occur in the air of swimming pools, saunas and brine baths the fittings are as a rule not suitable for use in such environments. If you have an application such as this in mind nevertheless, we will be pleased to advise you further.

Convenient Syncro version

The AGILE system is also available in a „Syncro“ version. In this configuration, double-panelled sliding door sets open and close in counter direction when just one of the panels is operated. A virtually invisible and thoroughly proven cable and pulley return system ensures the long-term availability of this enhancement in operating convenience.

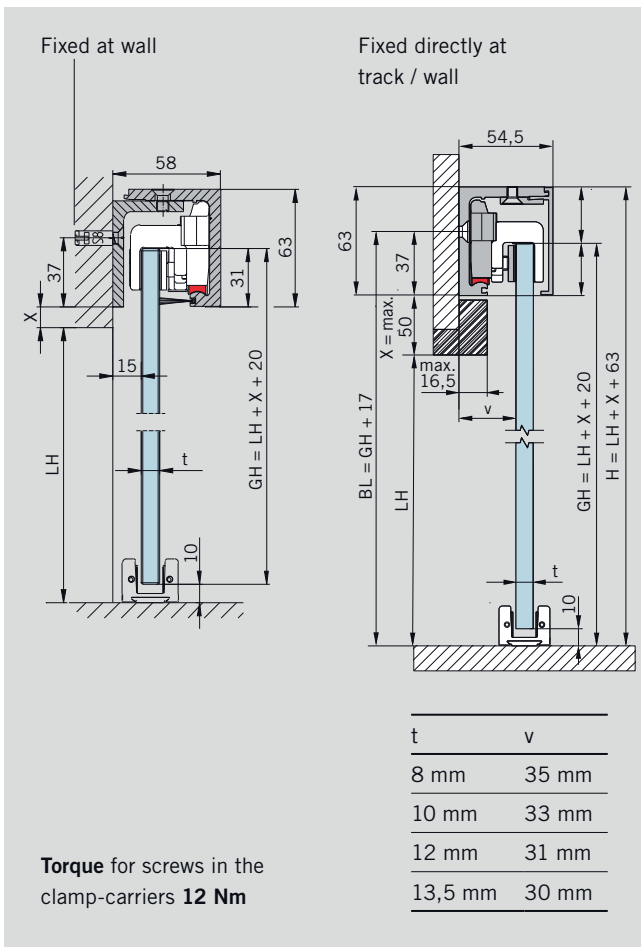
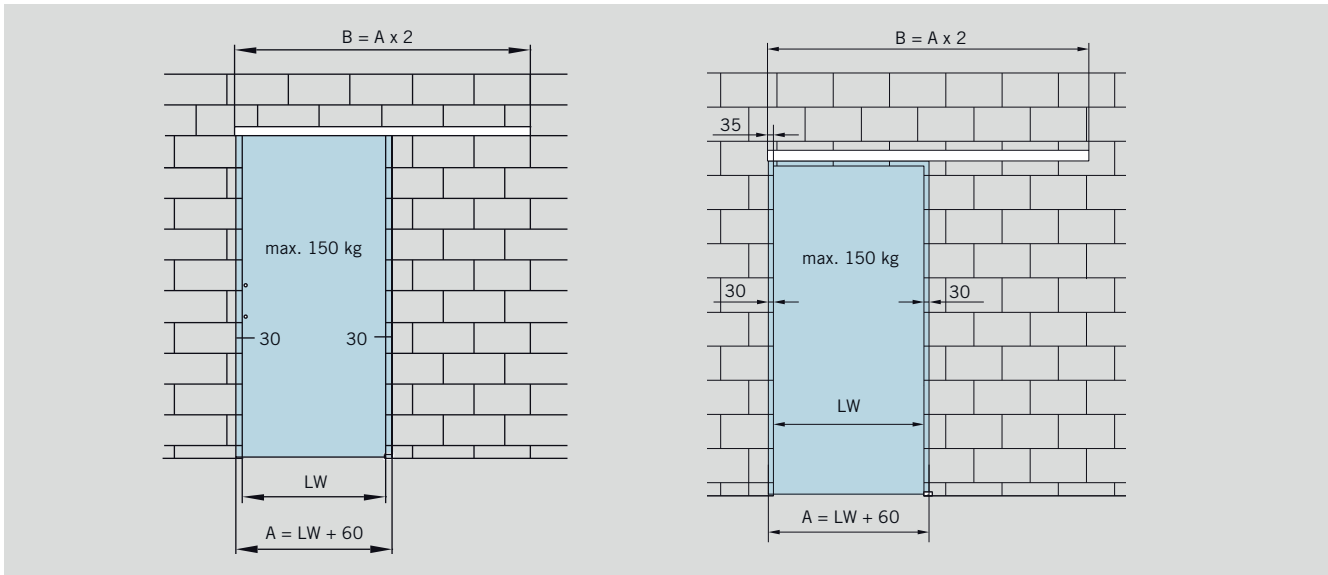
Modular system

The inherent handling ease coupled with a thoroughly systematic approach will greatly facilitate your planning work when implementing the AGILE 150 concept. Several set solutions for different fixing situations are available, as are individually tailored configurations.



Floor guide

TYPICAL ASSEMBLIES FIXED AT WALL OR DIRECTLY AT TRACK/WALL



Features and Data

AGILE 150

For installations with one or two door panels; fixed at wall or directly at track / wall; for 8–13.5 mm glass thickness, continuously adjustable

Max. weight of door panels

150 kg

Calculation of glass height

Fixed at wall:

$$GH = LH + X + 20 \text{ mm}$$

Calculation of glass width

$$A = LW + 60 \text{ mm}$$

(min. 500 mm)

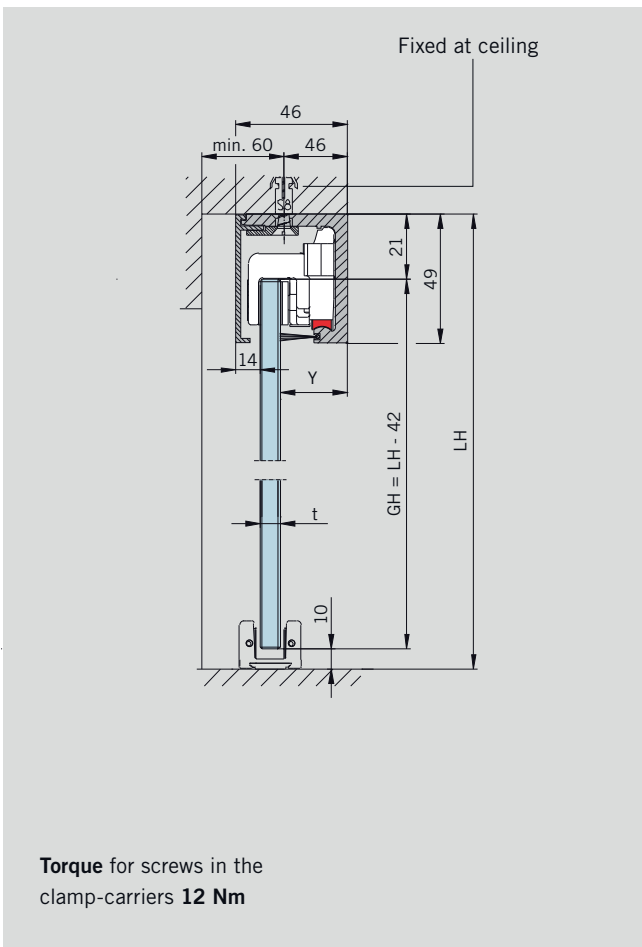
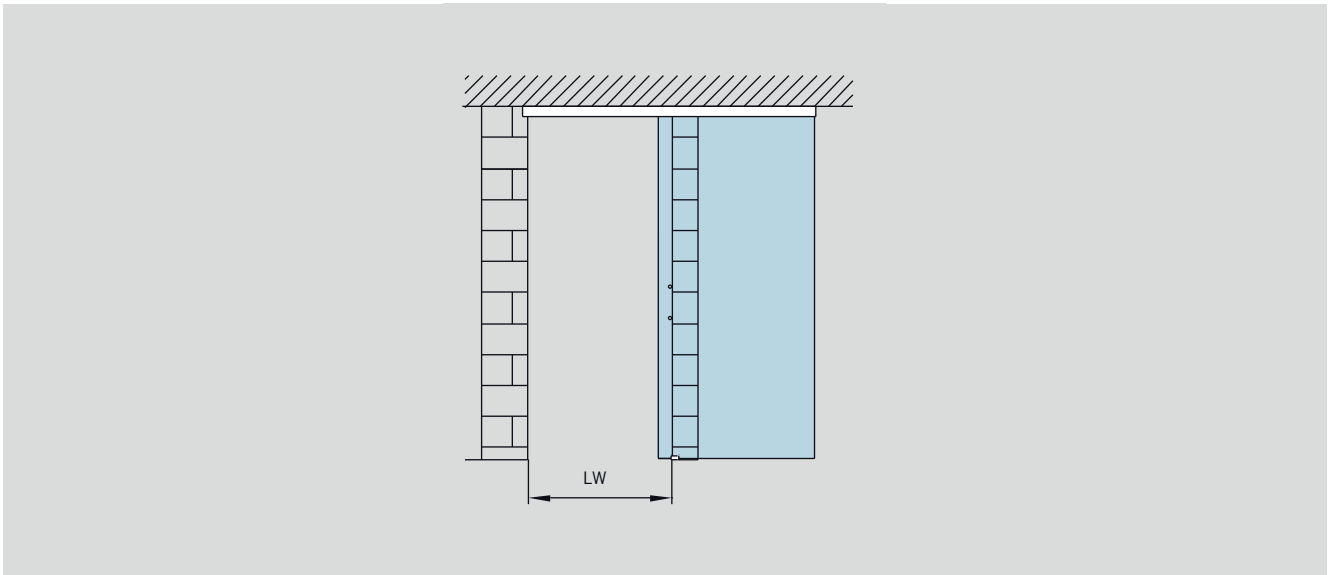
- A = Glass width
- B = Length of track
- BL = Drilling line
- H = Total height
- GH = Glass height
- LH = Clear opening height
- LW = Clear opening width
- t = Glass thickness (8–13,5 mm)
- v = Distance wall to glass

Option:

Lateral sealing to wall see page 40

Track fixed at wall beyond a frame on request.

TYPICAL ASSEMBLIES FIXED AT CEILING



Features and Data

AGILE 150

For installations with one or two door panels; fixed at ceiling for 8–13.5 mm glass thickness, continuously adjustable

Max. weight of door panels

150 kg

Calculation of glass height

Fixed at ceiling:

$$GH = LH - 42 \text{ mm}$$

(see drawing)

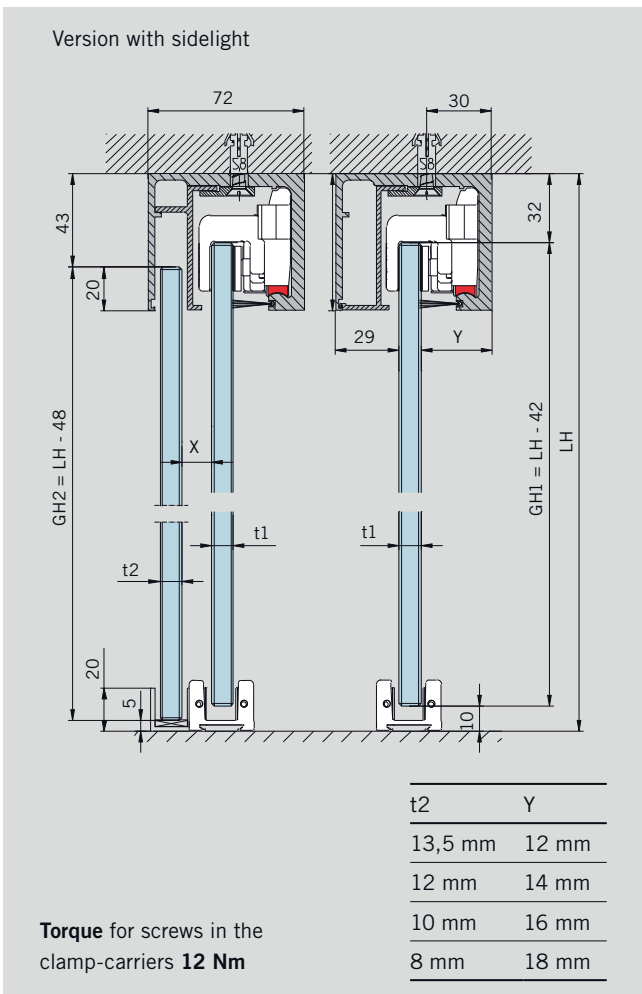
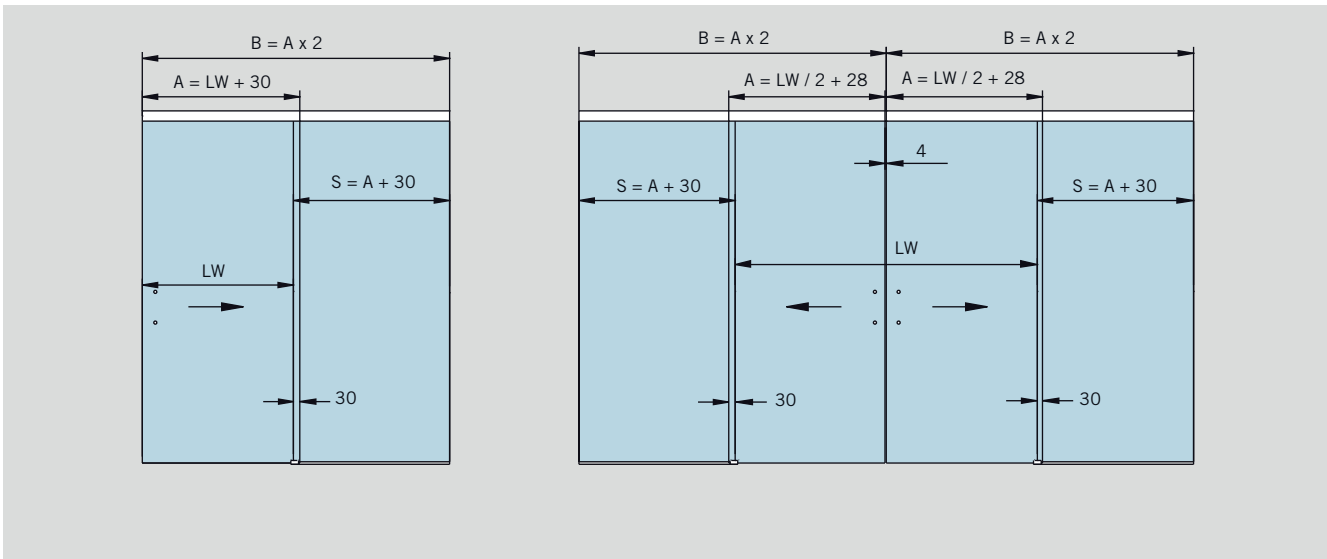
Calculation of glass width

$$A = LW + 60 \text{ mm}$$

(min. 500 mm)

- A = Glass width
- B = Length of track
- GH = Glass height
- LH = Clear opening height
- LW = Clear opening width
- t = Glass thickness
(8–13,5 mm)
- Y = 54 – (12 + t)

TYPICAL ASSEMBLIES WITH ONE OR TWO DOOR PANELS, WITH SIDELIGHTS



Features and Data

AGILE 150

For installations with one or two door panels, with sidelights; for 8–13.5 mm glass thickness, continuously adjustable

Max. weight of door panels

150 kg

Calculation of glass height

Sliding panels:

$GH1 = LH - 42 \text{ mm}$

(see drawing right hand)

Sidelights:

$GH2 = LH - 48 \text{ mm}$

(see drawing left hand)

Calculation of glass width

Sliding panels:

$A = LW + 30$

$A = LW / 2 + 28$ (min. 500 mm)

(see drawing at the top)

Sidelights:

$S = A + 30 \text{ mm}$

A = Glass width

B = Length of track

GH1 = Glass height sliding door

GH2 = Glass height sidelight

LH = Clear opening height

LW = Clear opening width

S = Glass width sidelight

t1 = Glass thickness sliding door

t2 = Glass thickness sidelight

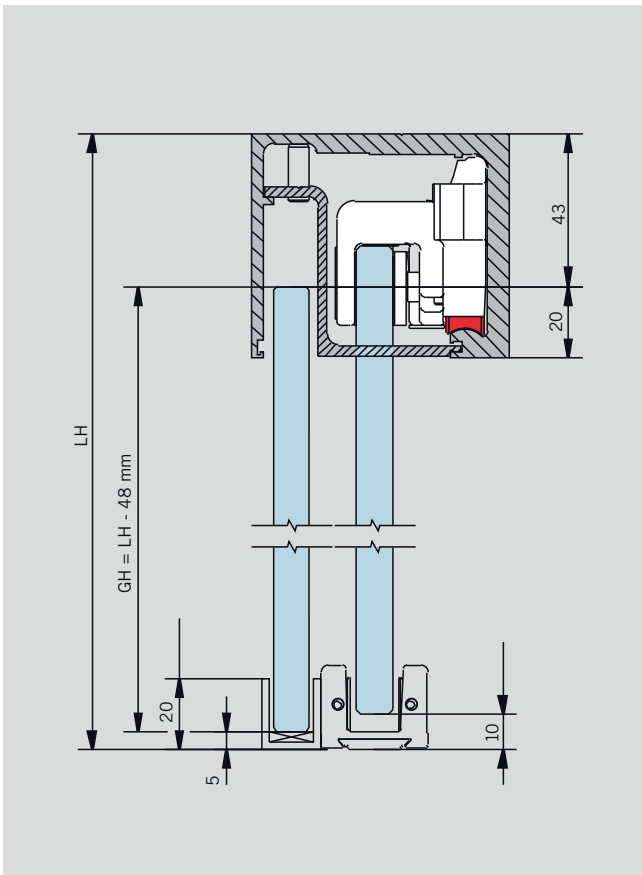
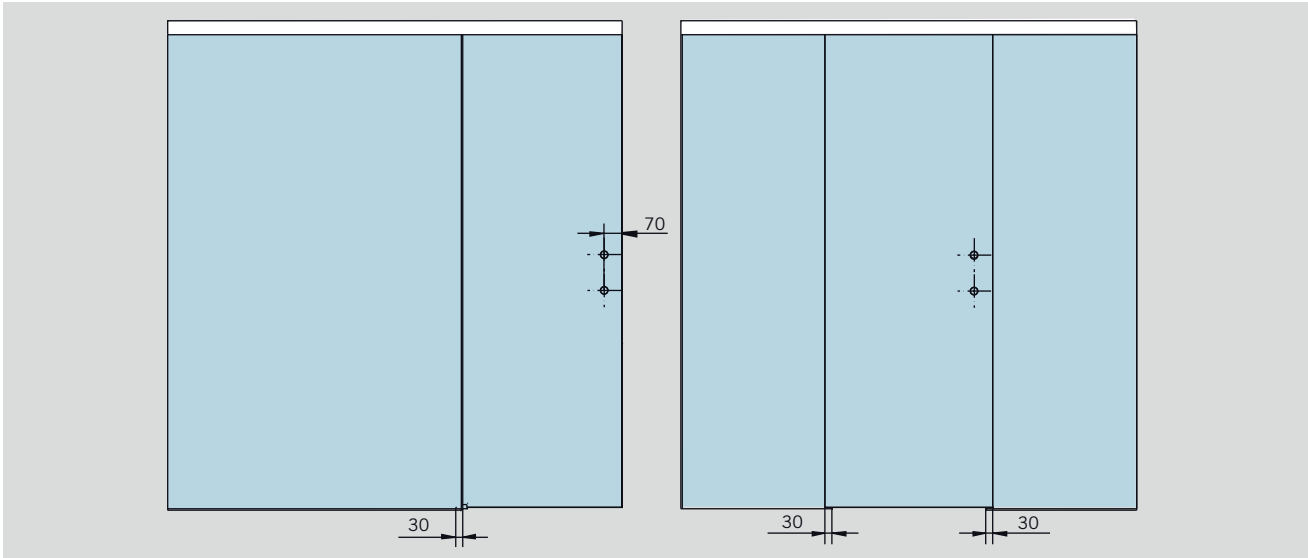
$Y = 72 - (29 + t)$

Option:

Lateral sealing to wall see page 40

Note: In order to maximise the protection afforded to the glass, we recommend that spacer 29.420 be fitted to sliding doors that move in opposite directions (see page 40).

TYPICAL ASSEMBLIES FOR FIXED GLASS ELEMENTS ALIGNED WITH SIDELIGHTS



Features and Data

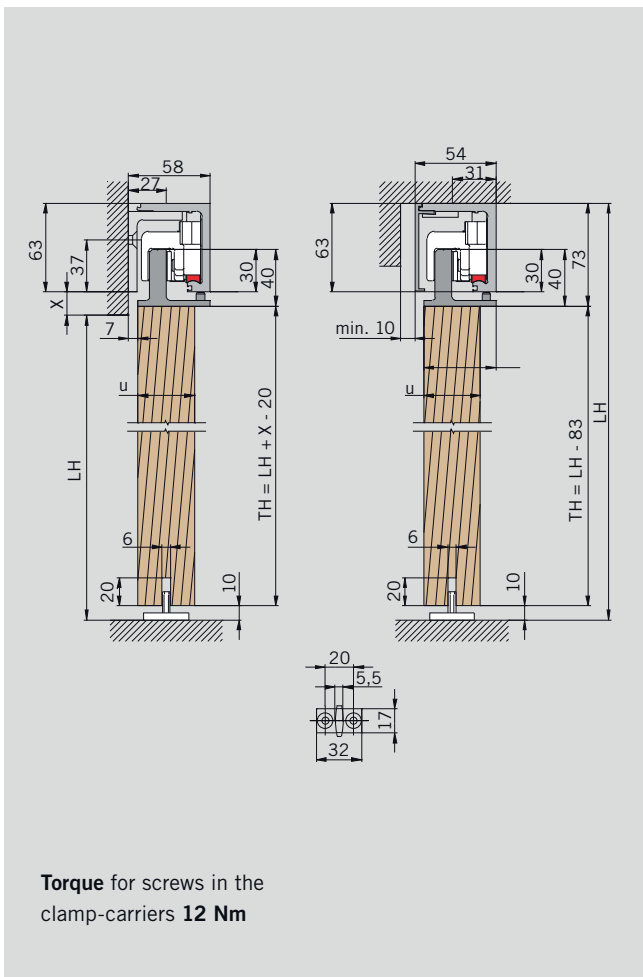
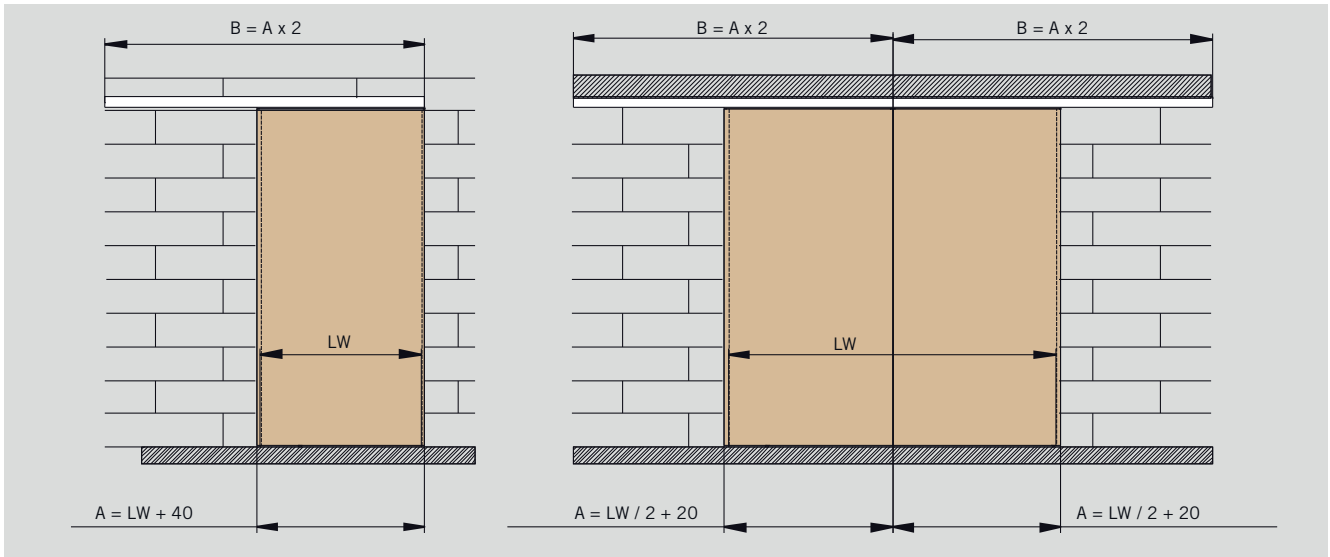
AGILE 150

Calculation of glass height for fixed panels

Sidelights:
 $GH = LH - 48 \text{ mm}$

GH = Glass height
 LH = Clear opening height

TYPICAL ASSEMBLIES FOR TIMBER APPLICATIONS



Features and Data

AGILE 150 for timber applications

For installations with one or two door panels;
fixed at wall or ceiling;
for 28–40 mm timber elements

Max. weight of door panels
150 kg

Calculation of door height

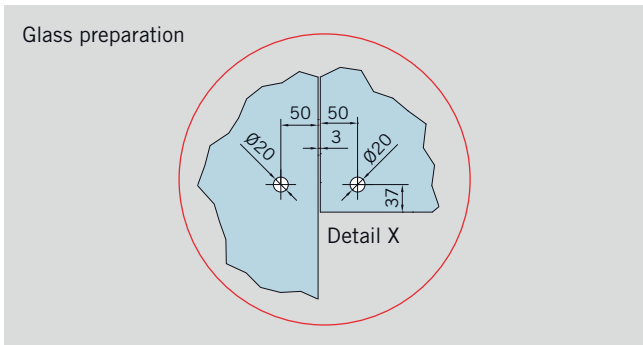
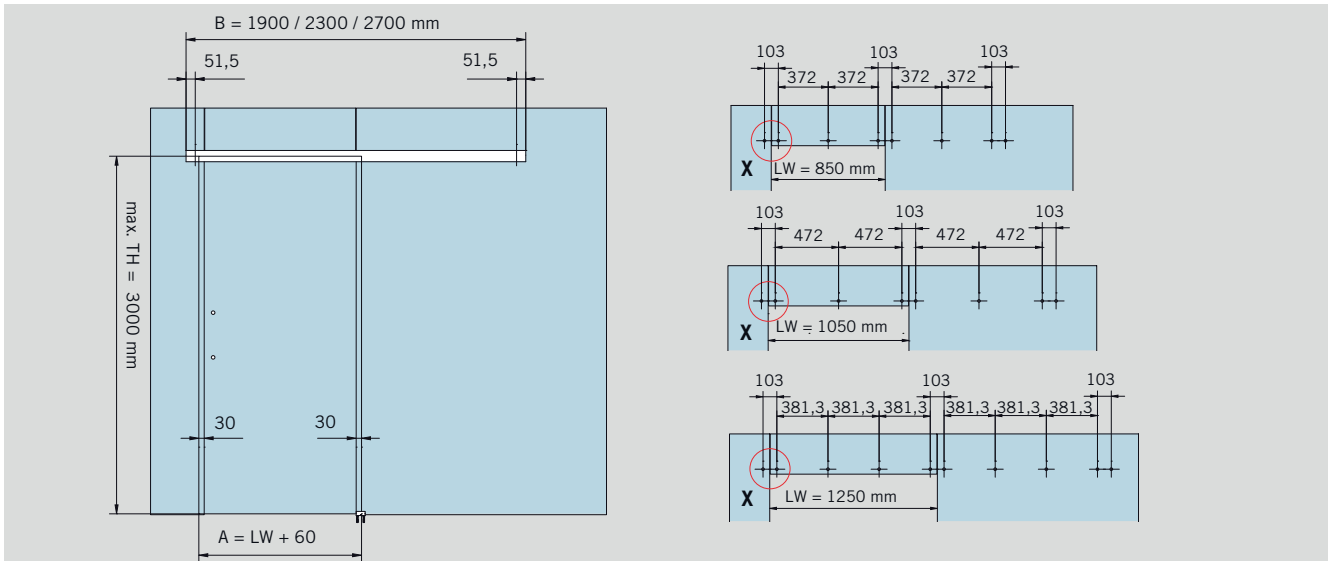
$TH = LH + X - 20$ mm or
 $TH = LH - 83$ mm
(see drawing)

Calculation of door width

$A = LW + 40$ mm
 $A = LW / 2 + 20$ (min. 500 mm)

- A = Door width
- B = Length of track
- LH = Clear opening height
- LW = Clear opening width
- TH = Door height
- u = thickness of timber (28–40 mm)

COMPACT TYPICAL ASSEMBLIES SLIDING DOOR SETS, FIXED AT GLASS



Features and Data

AGILE 150 to glass
in 3 predefined widths

For installations with one panel fixed at glass;
for 8–13.5 mm glass thickness,
continuously adjustable

Max. weight of door panel
150 kg

Calculation of glass height

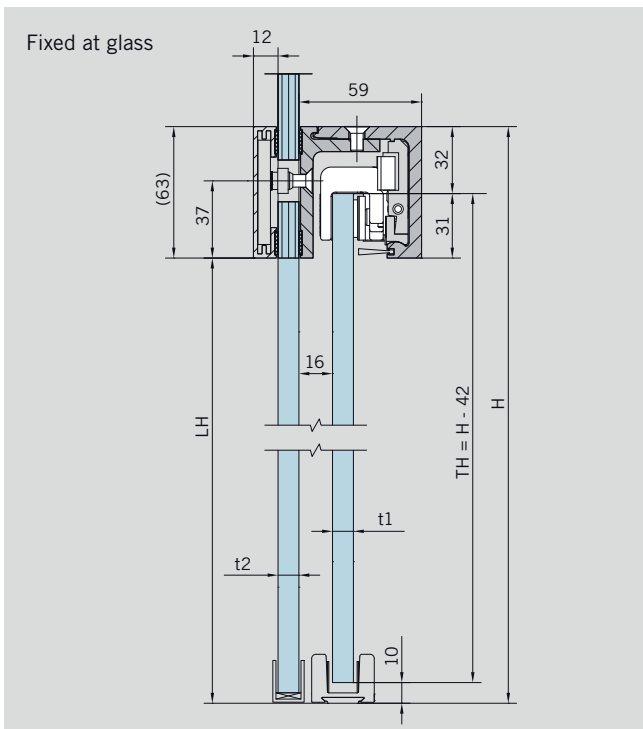
$TH = LH - 42$ mm
(see drawing)

Calculation of glass width

$A = LW + 60$ mm

Torque for screws in the clamp-carriers

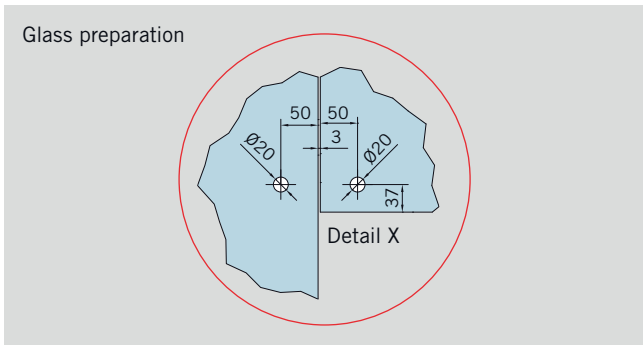
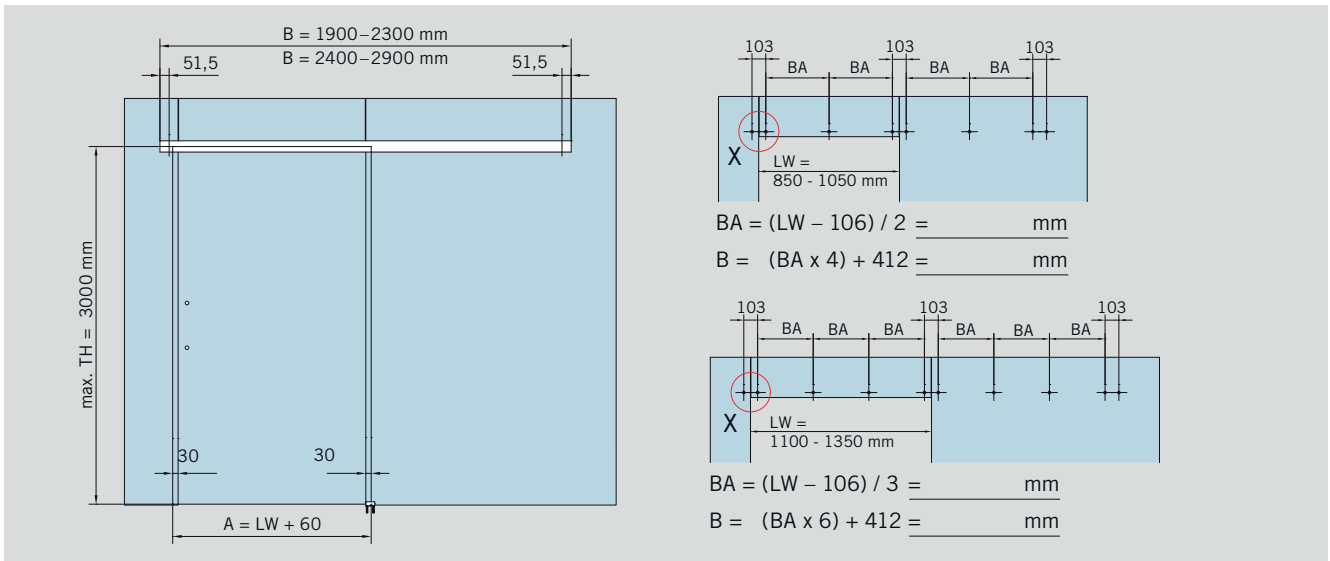
12 Nm



- A = glass width
- B = length of track
- H = total height
- LH = clear opening height
- LW = clear opening width
- TH = door height
- t1 = glass thickness sliding door (8–13.5 mm)
- t2 = glass thickness fixed panel (10–19 mm)

CONCEPT

TYPICAL ASSEMBLIES SLIDING DOOR SETS, FIXED AT GLASS



Features and Data

AGILE 150 to glass

in selectable exact widths according to customer specification

For installations with one panel fixed at glass; for 8–13.5 mm glass thickness, continuously adjustable

Max. weight of door panel

150 kg

Calculation of glass height

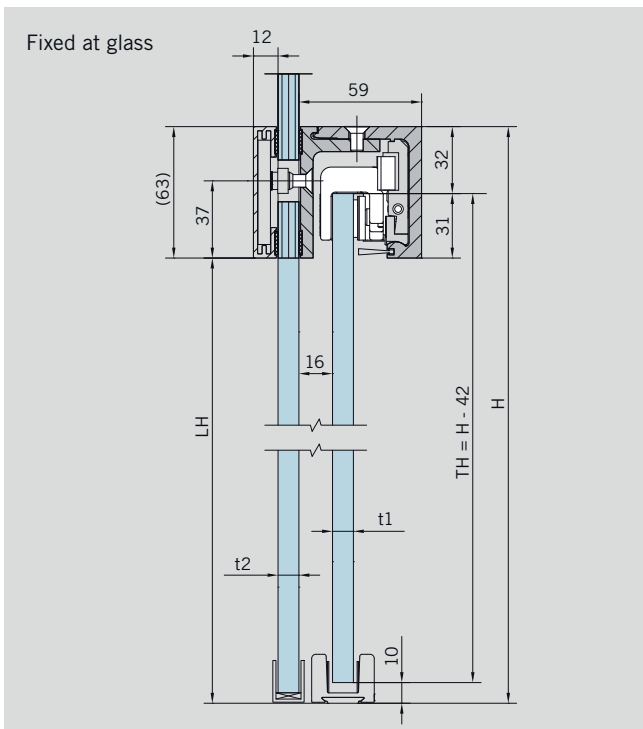
TH = LH - 42 mm
(see drawing)

Calculation of glass width

A = LW + 60 mm

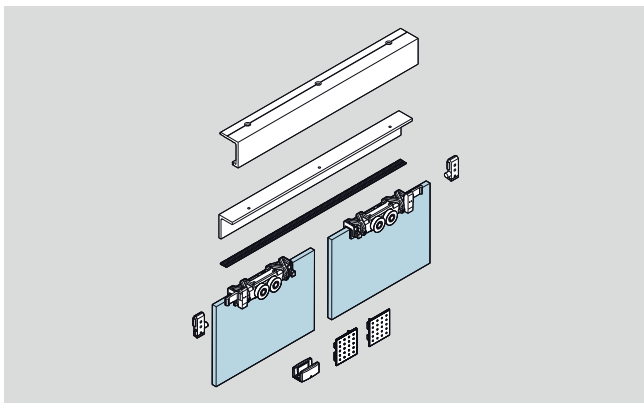
Torque for screws in the clamp-carriers

12 Nm



- A = glass width
- B = length of track
- BA = drilling distance
- H = total height
- LH = clear opening height
- LW = clear opening width
- TH = door height
- t1 = glass thickness sliding door (8–13.5 mm)
- t2 = glass thickness fixed panel (10–19 mm)

SLIDING DOOR SETS FIXED AT WALL OR AT CEILING



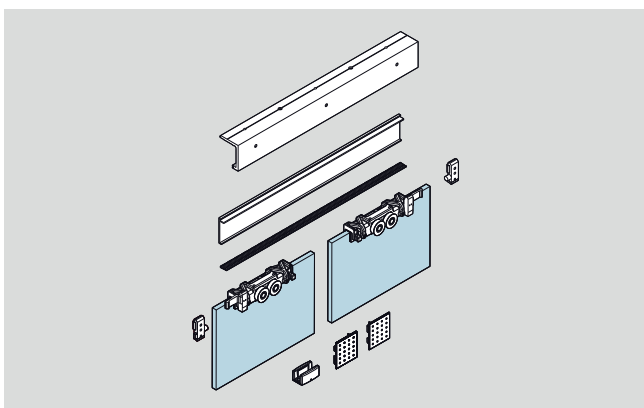
AGILE 150 Sliding door set

Track fixed at wall

complete, consisting of

- 1 track,
- 1 angle profile,
- 2 clamp-carriers (for 8–13,5 mm glass thickness) with stabilizer,
- 2 endstops with safety catch,
- 1 AGILE floor guide

Panel width	950	1450
Track	1900	2900
Art. No.	07.300	07.302
Weight in kg	8.000	11.600



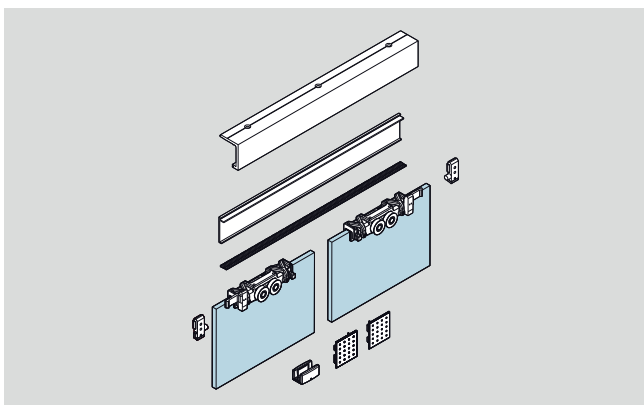
AGILE 150 Sliding door set

Fixed directly at track / wall

complete, consisting of

- 1 track,
- 1 angle profile,
- 2 clamp-carriers (for 8–13,5 mm glass thickness) with stabilizer,
- 2 endstops with safety catch,
- 1 AGILE floor guide

Panel width	950	1450
Track	1900	2900
Art. No.	07.304	07.305
Weight in kg	6.800	9.500



AGILE 150 Sliding door set

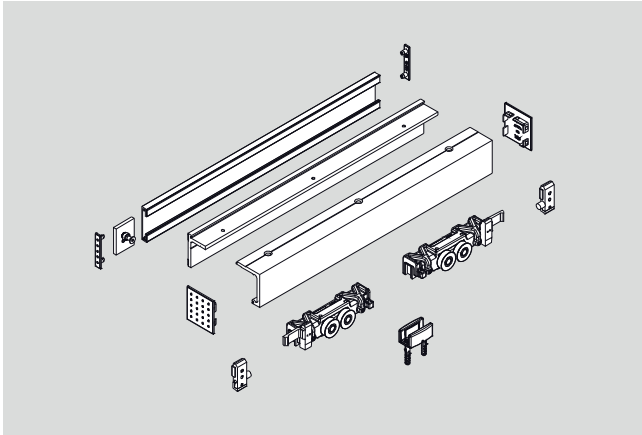
Track fixed at ceiling

complete, consisting of

- 1 track,
- 1 angle profile,
- 2 clamp-carriers (for 8–13,5 mm glass thickness) with stabilizer,
- 2 endstops with safety catch,
- 1 AGILE floor guide

Panel width	950	1450
Track	1900	2900
Art. No.	07.301	07.303
Weight in kg	6.800	9.500

COMPACT SLIDING DOOR SETS, FIXED AT GLASS, FOR SELECTED CLEAR OPENING WIDTH

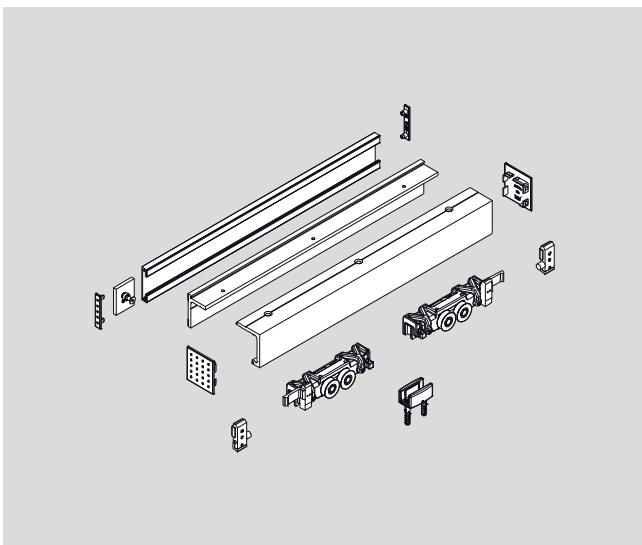


AGILE 150 sliding door set in 3 predefined widths

fixed at glass,
complete consisting of:
AGILE 150 track, counter
profile, incl. fixing plates,
AGILE 150 accessory set,
end caps,
view protection brushes

Clear opening width	850	1050	1250
Track	1900	2300	2700
Art. No.	07.735	07.736	07.737

CONCEPT SLIDING DOOR SET, FIXED AT GLASS, FOR INDIVIDUAL CLEAR OPENING WIDTH

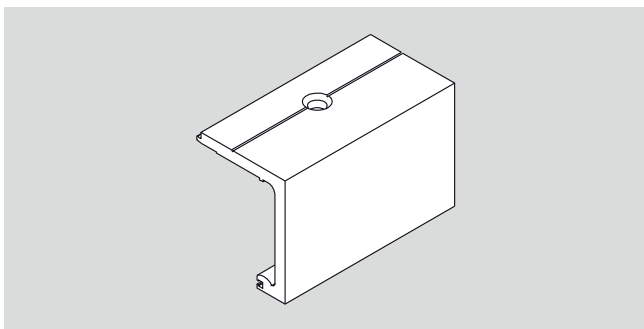


AGILE 150 sliding door set in selectable exact widths according to customer specification

fixed at glass,
complete consisting of:
AGILE 150 track, counter
profile (1500 – 2900 mm),
incl. fixing plates,
AGILE 150 accessory set,
end caps,
view protection brushes

Clear opening width	850–1050	1100–1350
Track	1900–2300	2400–2900
Art. No.	07.738	07.739

COMPONENT PARTS FOR VERSION WITHOUT SIDELIGHTS

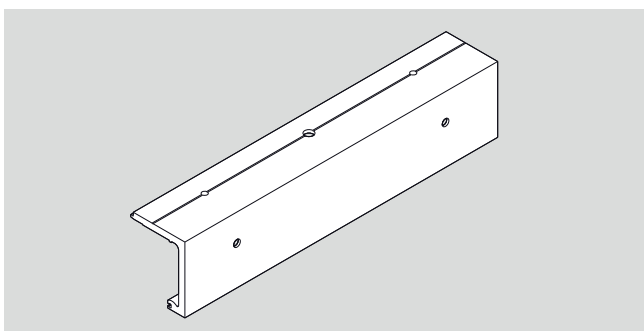


AGILE 150 track profile - ceiling or wall fixed
(for installation without sidelights), drilled

Art. No. 07.340
stock length 6000 mm

Art. No. 07.350
in fixed lengths

Weight in kg/m: 1.910

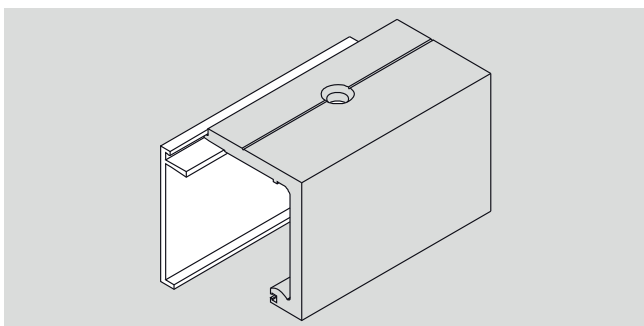


AGILE 150 track profile, for direct track fixing to wall
(without sidelights), drilled

Art. No. 07.343
in combination with 07.341
stock length 6000 mm

Art. No. 07.356
in combination with 07.351
in fixed lengths

Weight in kg/m: 1.910

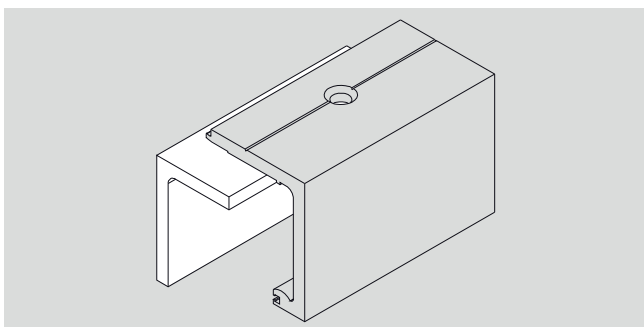


AGILE 150 cover profile, for ceiling fixed track,
for clip-on to track profile
Art. No. 07.340/350 + 07.343/356

Art. No. 07.341
stock length 6000 mm

Art. No. 07.351
in fixed lengths

Weight in kg/m: 0.520



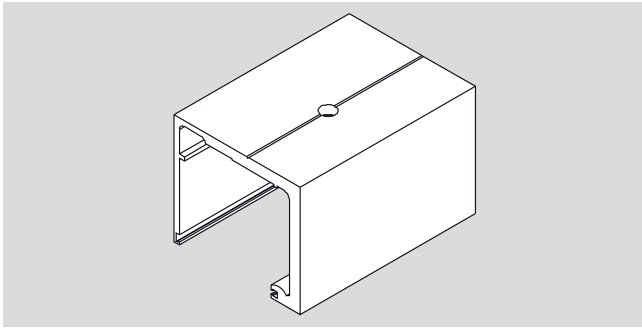
AGILE 150 angle profile, for wall fixed track
Art. No. 07.340/350 drilled

Art. No. 07.342
stock length 6000 mm

Art. No. 07.352
in fixed lengths

Weight in kg/m: 1.450

COMPONENT PARTS FOR VERSION WITH SIDELIGHTS

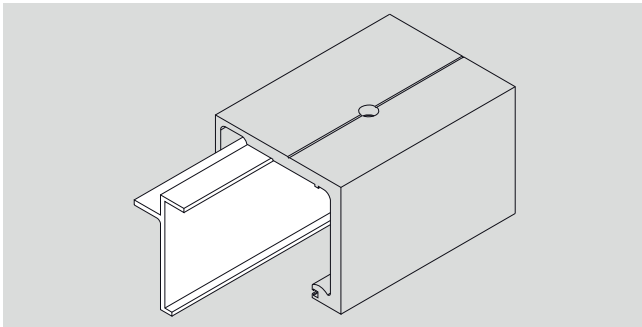


AGILE 150 track profile,
drilled,
(for installation with sidelights)

Art. No. 07.360
stock length 6000 mm

Art. No. 07.370
in fixed lengths

Weight in kg/m: 2.623

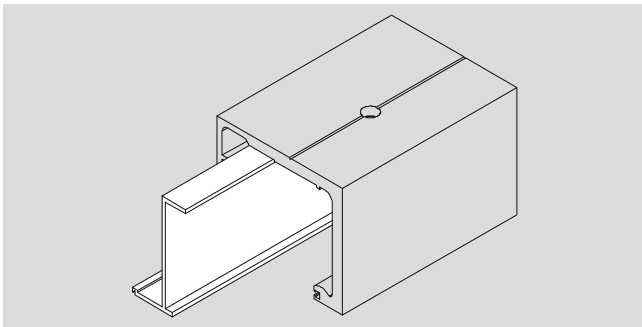


AGILE 150 sidelight fixing profile,
for track Art. No. 07.360/370
(for fixing a sidelight)

Art. No. 07.361
stock length 6000 mm

Art. No. 07.371
in fixed lengths

Weight in kg/m: 0.348

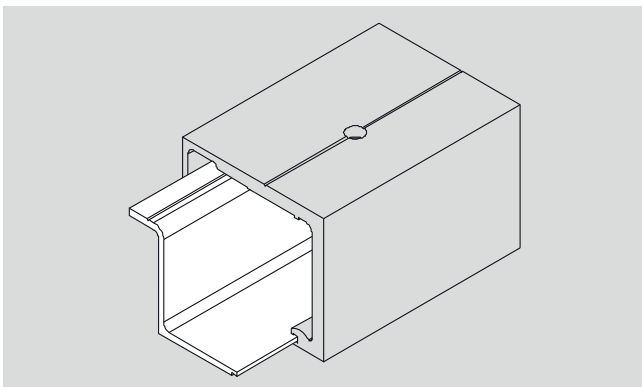


AGILE 150 view protection profile,
for track Art. No. 07.360/370
(to cover gap in entry area)

Art. No. 07.362
stock length 6000 mm

Art. No. 07.372
in fixed lengths

Weight in kg/m: 0.405



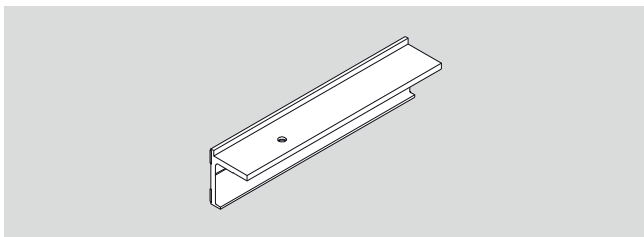
AGILE 150 sidelight inlaid profile
(for fixing a sidelight) to cover
gap in sidelight area
for track rail Art. No. 07.360/370

Art. No. 07.364
stock length 6000 mm

Art. No. 07.374
in fixed lengths

Art. No. 07.364/07.374 cannot be used without prepared view protection profiles (07.376/07.375).

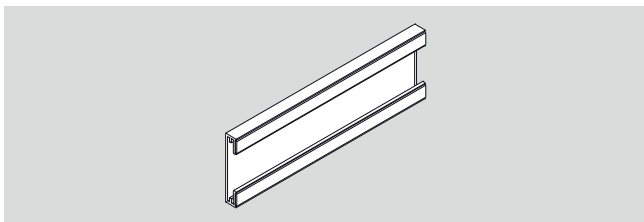
COMPONENT PARTS AGILE 150 FIXED AT GLASS



AGILE 150
Glass connection profile
fixed at glass

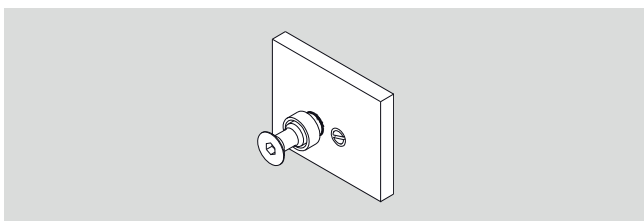
Art. No. 07.711
stock length 6000 mm

Note:
The profile has to be adapted with drillings for fixing to glass individually on site.



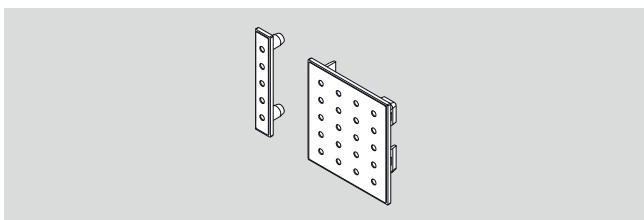
AGILE 150 counter profile
fixed at glass

Art. No. 07.710
stock length 6000 mm



AGILE 50/150 fixing plates
fixed at glass
(bag with 2 pcs.),
incl. connecting screws

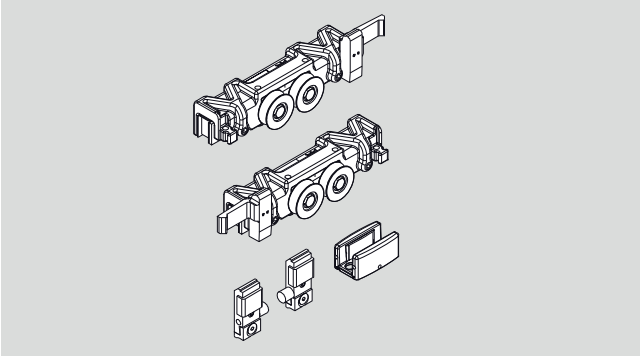
Art. No. 07.282



AGILE 150 set end caps
fixed at glass
(track + counter profile each
left / right)

Art. No. 07.730

AGILE 150 ACCESSORY SET



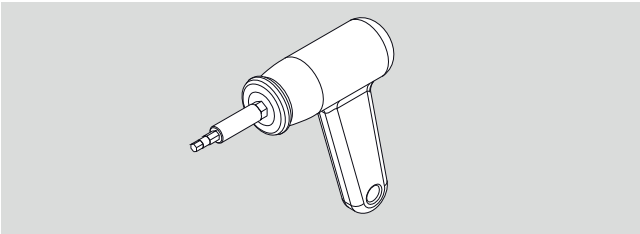
AGILE 150 accessory set – Version 2010

Art. No. 07.725

consisting of:
2 clamp carriers for
8–13,5 mm glass thickness
(continuously adjustable),
2 endstops with safety catch
and anti jump device,
1 AGILE floor guide for
8–13,5 mm glass thickness
(continuously adjustable)

AGILE 150 accessory set as replacement for assemblies delivered up to Dec. 2009 on request.

If parts of replacement are required please mention the date of purchase.



Torque wrench

Art. No. 07.624

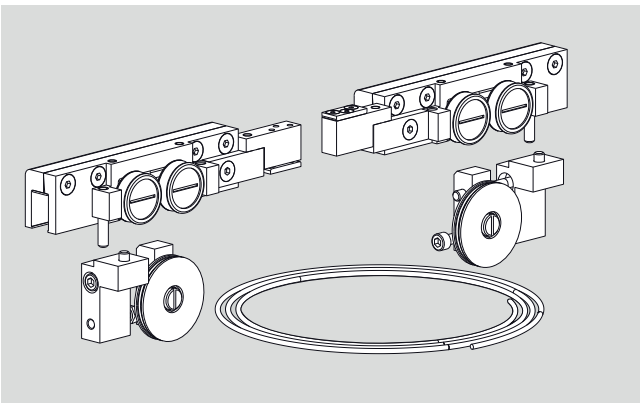
calibrated to 12 Nm
(adjustable 3,2–16 Nm)

AGILE 150 accessories for 13.5 mm glass as replacement for assemblies delivered up to Dec. 2009, on request

AGILE 150 SYNCRO SET

Attention: The AGILE track rail / wall angle should be prepared
(customised profiles / adjustment on site) prior to installation.

Consider the mounting instructions!



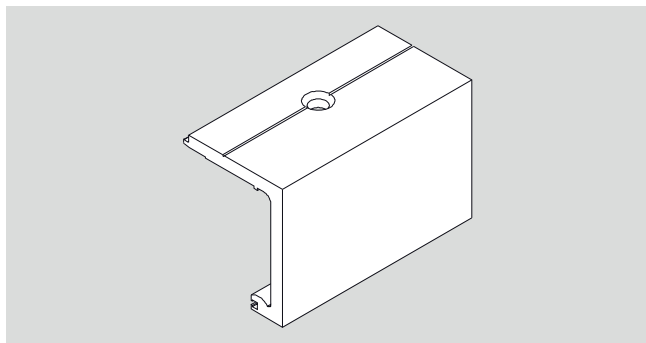
AGILE 150 Syncro set

Art. No. 07.330

for 2-panel synchronously
opening system,
max. panel width 1000 mm,
max. panel weight 80 kg
per panel,
consisting of:
2 x accessory set Art. No. 07.325,
1 x deflection device incl. cable,
adjustable

Track profiles etc. have to be
ordered separately.

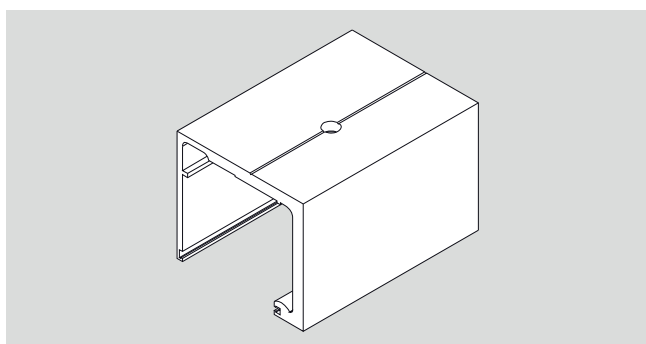
AGILE 150 – PREPARED PROFILES FOR SYNCRO APPLICATIONS CEILING FIXING



AGILE 150 track profile for ceiling fixing, prepared for Syncro
(for applications without sidelights), drilled

Art. No. 07.353
in fixed lengths

Cover profile 07.351 has to be ordered separately, if required.

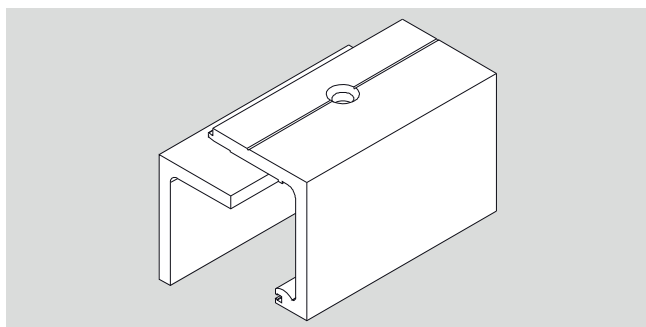


AGILE 150 track / sidelight profile, ceiling fixing
(for application with sidelights), prepared for Syncro, drilled

Art. No. 07.373
in fixed lengths

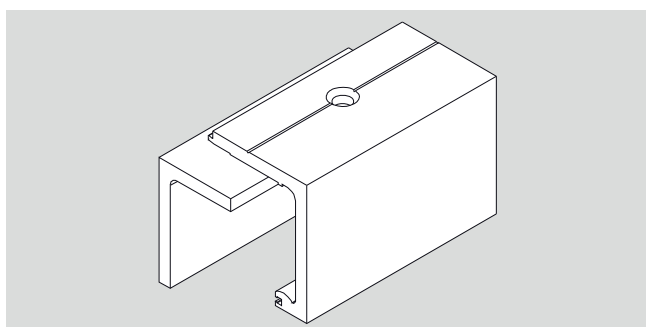
Sidelight / edge profile 07.361 and view protection profile 07.362 has to be ordered separately, if required.

AGILE 150 – PREPARED PROFILES FOR SYNCRO APPLICATIONS WALL FIXING



AGILE 150 angle profile and track profile for wall fixing,
prepared for Syncro drilled

Art. No. 07.355
in fixed lengths

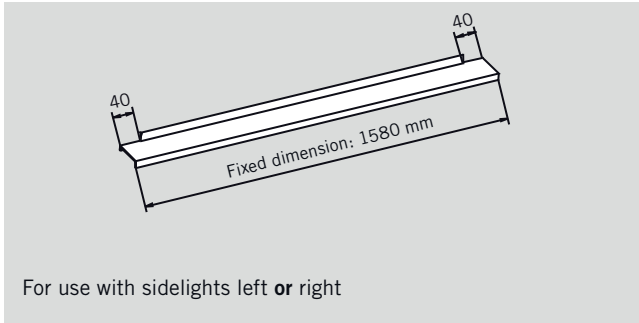


AGILE 150 angle profile and track profile for wall fixing between 2 walls,
prepared for Syncro drilled

Art. No. 07.354
in fixed lengths

AGILE 150 – PREPARED VIEW PROTECTION PROFILES FOR COMBINATION WITH SIDELIGHT INLAID PROFILE

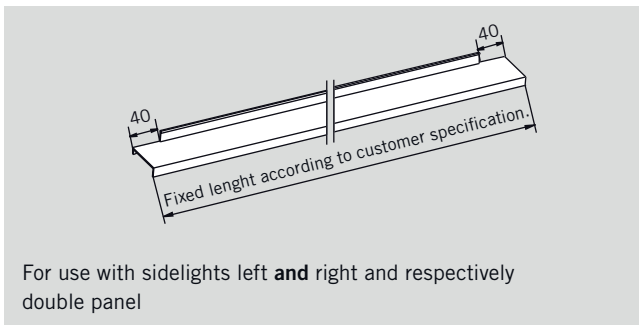
Shown articles need a previous recall of installation instruction and further technical details due to further profile preparations on site.



For use with sidelights left **or** right

AGILE 150
view protection profile for entry area in combination with side-light inlaid profile 07.364/374 each for track 07.360/370

Art. No. 07.376
fixed dimension: 1580 mm

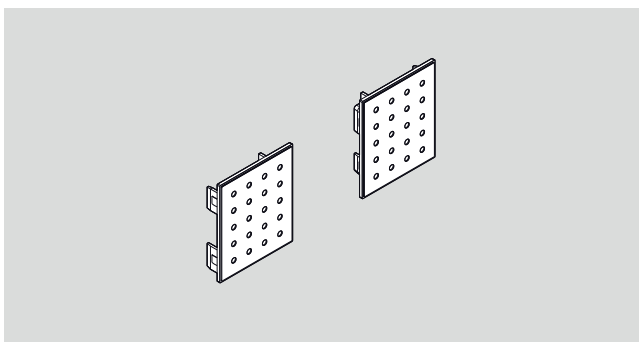


For use with sidelights left **and** right and respectively double panel

AGILE 150
view protection profile for entry area in combination with side-light inlaid profile 07.364/374 each for track 07.360/370

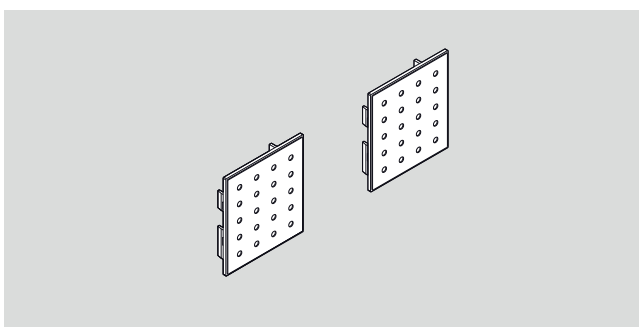
Art. No. 07.375
in fixed length

AGILE 150 - END CAP



AGILE 150 end cap
54 mm
for ceiling fixed track
Art. No. 07.340/350

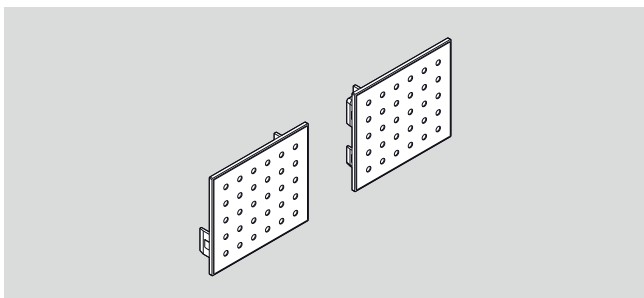
Art. No. 07.721
Weight in kg: 0,012



AGILE 150 end cap
57 mm
for wall fixed track
Art. No. 07.340/350

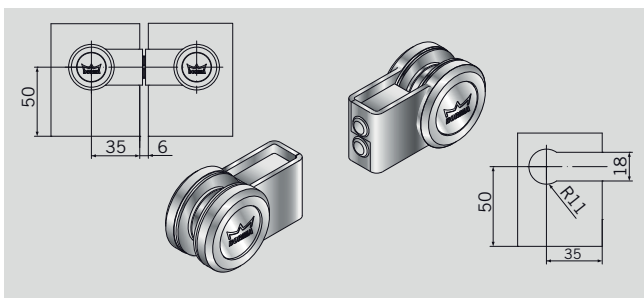
Art. No. 07.720
Weight in kg: 0,014

ACCESSORIES



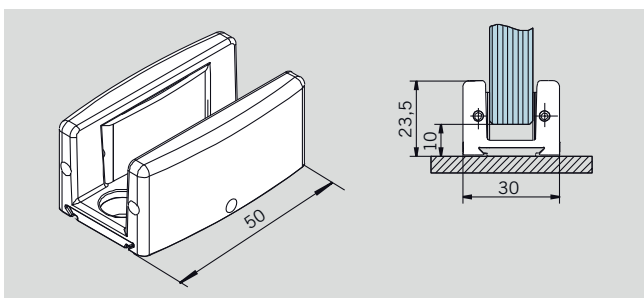
AGILE 150 end cap
72 mm
 for track with sidelight installation Art. No. 07.360/370

Art. No. 07.722
 Weight in kg: 0.014



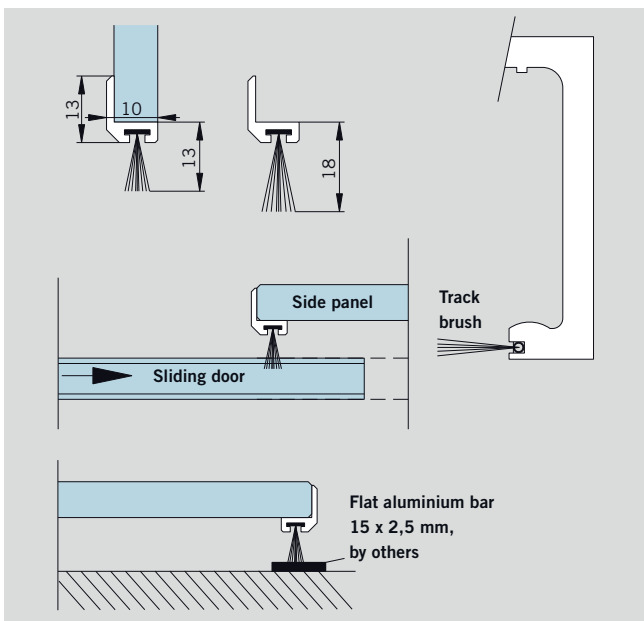
Spacer
 for sliding doors that move in opposite directions

Art. No. 29.420



AGILE floor guide,
 adjustable for
 8, 10, 12 and 13.5 mm glass thicknesses

Art. No. 07.316
 Weight in kg: 0.094



Brush profile,
 for gaps up to 13 mm

Art. No. 07.400
 stock length 3000 mm

Art. No. 07.401
 in fixed length (max. 3000 mm)

Brush profile,
 for gaps up to 18 mm,

Art. No. 07.402
 stock length 3000 mm

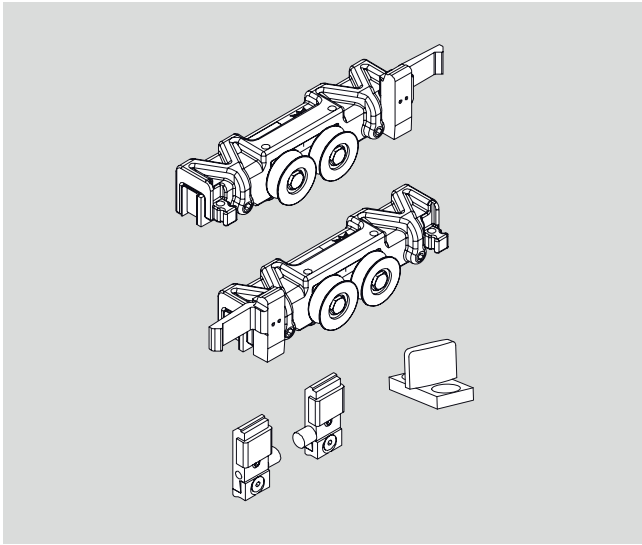
Art. No. 07.403
 in fixed length (max. 3000 mm)

Track brush

Art. No. 07.385
 length 1250 mm

For further accessories see page 75–78.

COMPONENT PARTS FOR TIMBER APPLICATIONS

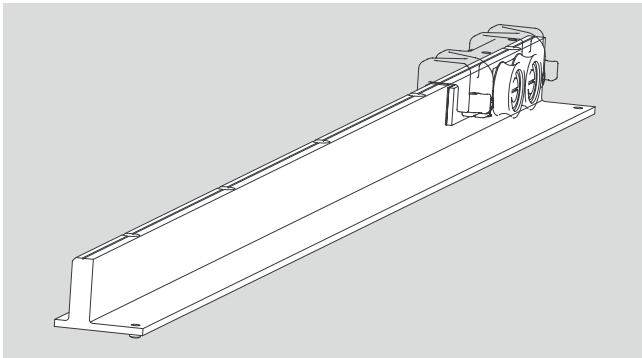


**AGILE 150 accessory set –
Version 2010**

consisting of:
2 clamp carriers
2 endstops with safety catch
and anti jump device,
1 floor guide for timber door
panel

Art. No. 07.745

Weight in kg: 1.354



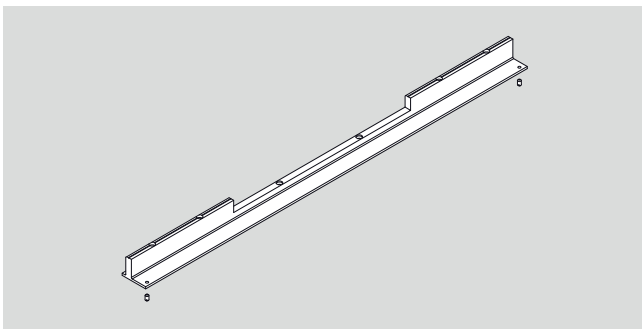
**AGILE 150 adapter profile
drilled**

Art. No. 07.367

stock length 6000 mm

Art. No. 07.377

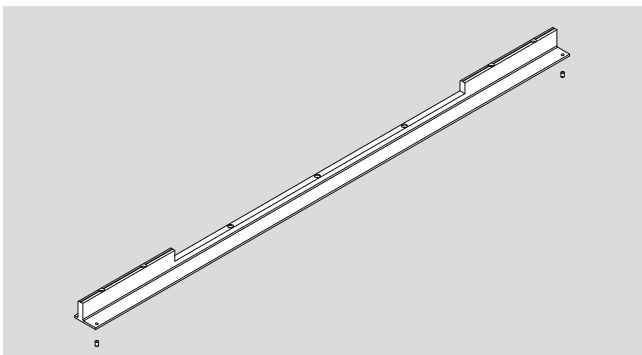
in fixed length



**AGILE 150 adapter profile
in connection with
DORMOTION Set L**

Art. No. 07.378

in fixed lengths



**AGILE 150 adapter profile
in connection with
DORMOTION Set XL**

Art. No. 07.379

in fixed lengths

AGILE 150 DORMOTION

General information

44–45

Typical assemblies

46–53

Fitting modules

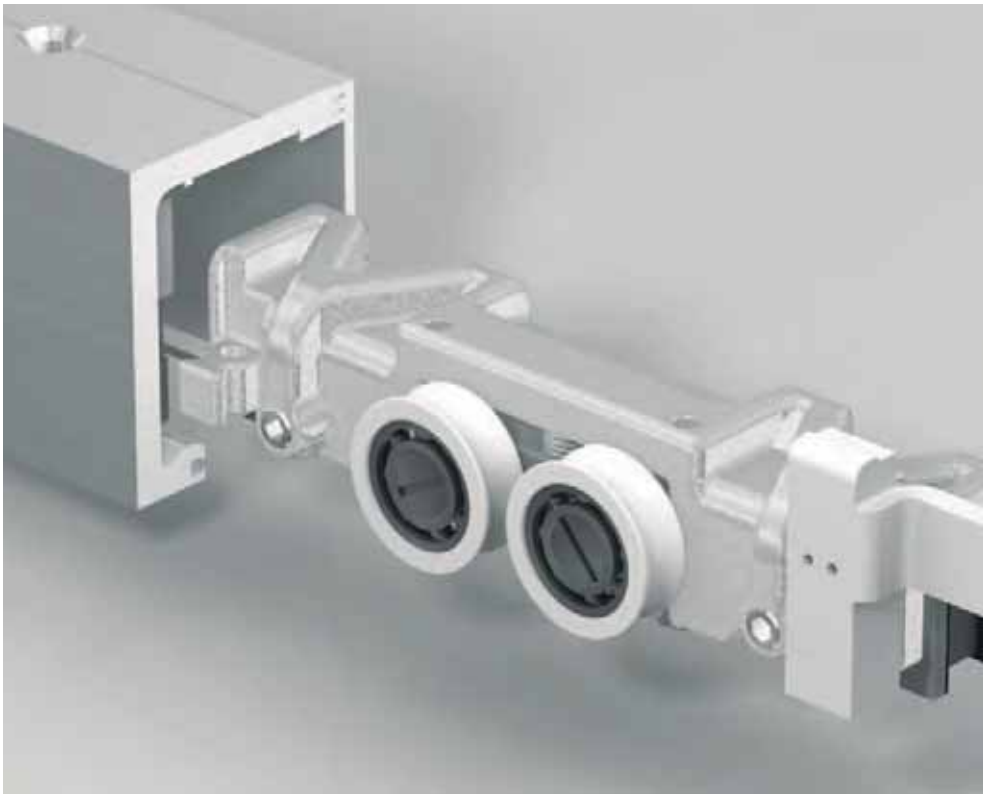
54–57

Accessories

58–59 / 75–78

Glass preparation

59





AGILE 150 DORMOTION

Comfortable cushioning

Whether due to temper, haste or carelessness – every now and then, doors get slammed.

Already renowned for its robustness, the AGILE 150 sliding door system now offers added convenience with the DORMOTION cushioning feature.

No matter if the door is opened and closed with a little too much gusto, just a few centimetres before the end of its travel path – in both directions – the sliding panel on its roller carrier is gently cushioned and then smoothly drawn spring-aided through to its end position. The technology that makes this possible is cleverly concealed in the system-defining decorative track in the AGILE design with a view-face height of just 63 mm and a mounting depth of 64.5 mm. And the system works whatever the manual force applied to the door.

Once the door has been opened or closed, an end stop holds the panel in place – eliminating both uncontrolled fallback and the problem of incomplete closure. And that means increased safety and even more living comfort.

Long service life

The outstanding ease of glide makes the system a joy to use. Doors of up to 150 kg and panel widths from 1160 mm, or up to 80 kg and panel widths from 830 mm can be smoothly, quietly and effortlessly operated with this system.

Having successfully completed an endurance test of 100,000 operating cycles to EN 1527, the AGILE can rightly claim to satisfy the durability criterion. And you will also find that the AGILE 150 takes corrosion resistance to a new level. So there are no obstacles to its installation and use in humid areas. Due to chemicals (e. g. chlorine) that may occur in the air of swimming pools, saunas and brine baths the fittings are as a rule not suitable for use in such environments.

If you have an application such as this in mind nevertheless, we will be pleased to advise you further.

Easy installation

The AGILE 150 DORMOTION system is available for single- and double-panel sliding doors and for wall-, direct track / wall and ceiling-fixed configurations as well as for assemblies with glass sidelights. It can also be installed with a glass overpanel. If preferred, a timber sliding panel can be used instead of the glass version. Integrated in the track unit is the trigger for the both-way cushioning / spring mechanism responsible for the special DORMOTION action. Prepared with a simple recess along the top edge of the glass for mounting the DORMOTION unit, the panels are fixed at the roller carrier by means of a clamping arrangement.

After the panels have been hung in the track, adjustments can be performed directly at the carriers to compensate for structural and installation tolerances of +/- 5 mm.

Once the installation work has been completed, the end positions in the door in the opening and closing directions are defined, as is the location of the anti-lift device. All these settings can be changed at any time.

Design options aplenty

The aluminium alloy track unit is available in a range of finishes. Anodised or powder-coated, it can be readily matched to a specific wall or ceiling colour. The thickness of the glass can be freely selected in the range from 8 mm to 13.5 mm to create a nigh-on perfect semi-customised system.

Technical features

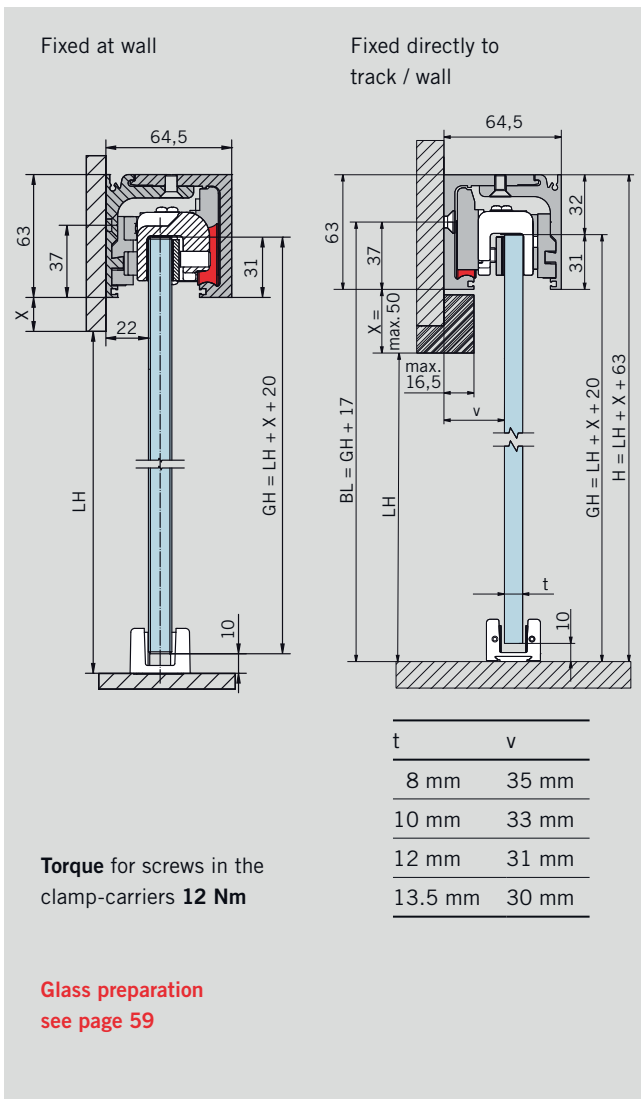
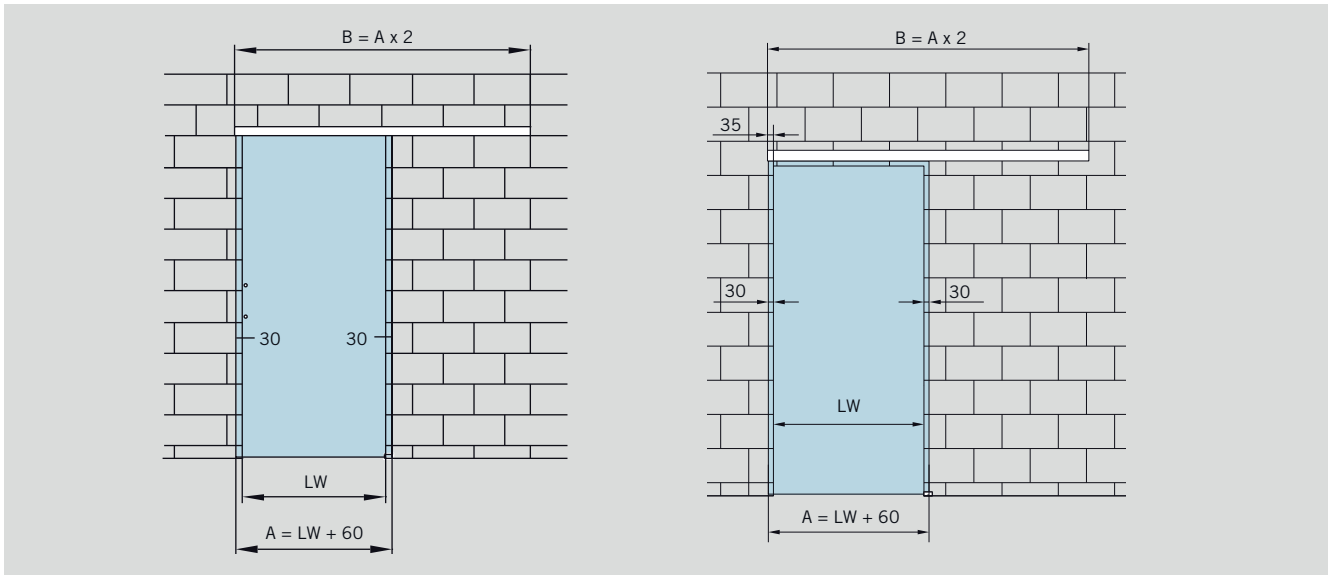
- Applications: Interior doors in private and public environments
- For single or double doors
- For ceiling, wall or direct track / wall installation, with glass sidelights possible
- Clamp carriers, DORMOTION, anti-jump device and adjustable endstops are hidden by the sliding track profile
- Vertically adjustable starter unit
- For doors up to 80 kg (DORMOTION Set Type L)
- For doors up to 150 kg (DORMOTION Set Type XL)
- Roller and glass clamp as one complete unit
- For 8 – 13.5 mm glass thickness (infinitely adjustable)
- Min. door panel width 830 mm (DORMOTION Set Type L)
- Min. door panel width 1160 mm (DORMOTION Set Type XL)
- Smooth running and long lasting plastic type rollers with ball bearings (corresponding EN 1527, 100,000 cycles)
- Applicable in humid rooms (not for sauna, baths or brine bath applications)
- TÜV-test/third-party verification with respect to quality and the production process with confirmed 100,000 operating cycles for DORMOTION Set type L, 50,000 operating cycles for DORMOTION Set Type XL



AGILE 150 DORMOTION

TÜV-tested/third-party verification with respect to quality and the production process Confirmed completion of operating cycles.

TYPICAL ASSEMBLIES FIXED AT WALL OR DIRECTLY AT TRACK/WALL



Features and Data

AGILE 150 DORMOTION

For installations with one or two door panels; fixed at wall or directly at track / wall; for 8–13.5 mm glass thicknesses (continuous)

Max. weight of door panels

80 kg for
DORMOTION Set Type L
150 kg for
DORMOTION Set Type XL

Calculation of glass height

$GH = LH + X + 20 \text{ mm}$
(see drawing)

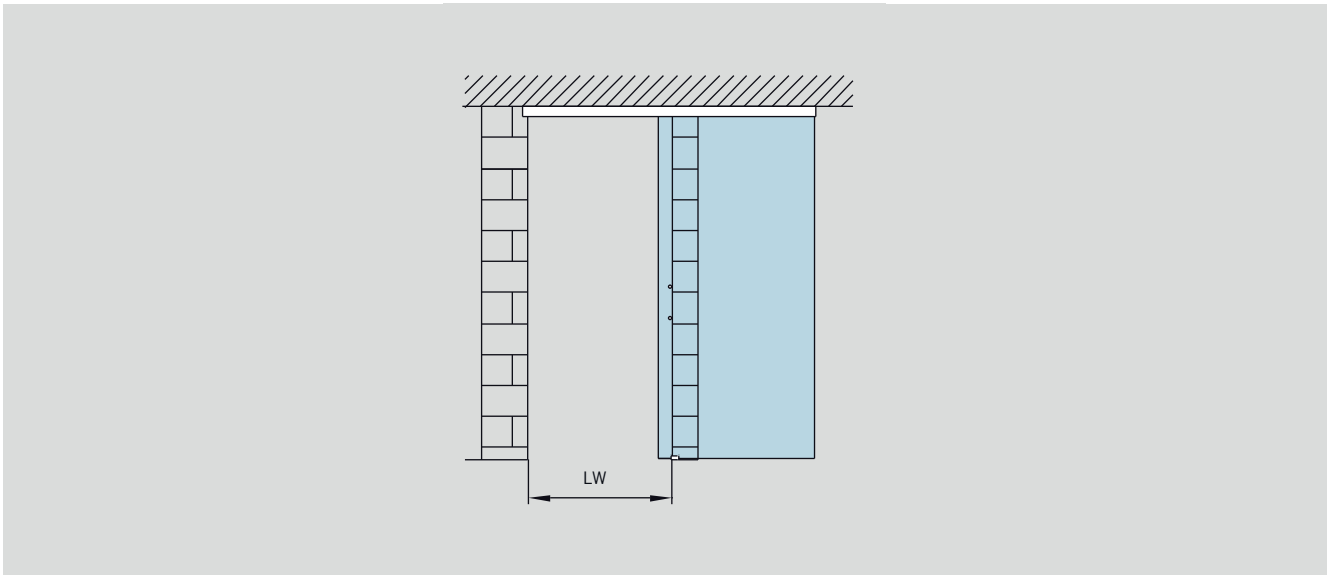
Calculation of glass width

$A = LW + 60 \text{ mm}$
(min. 830 mm for
DORMOTION Set Type L,
min. 1160 mm for
DORMOTION Set Type XL)

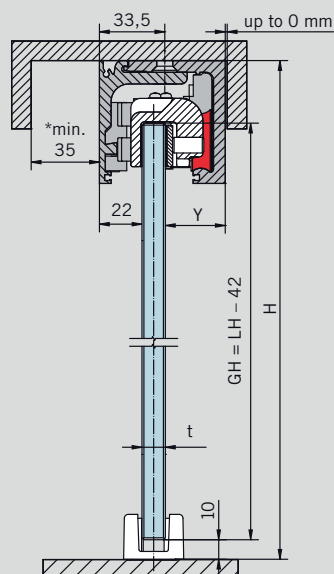
A = Glass width
B = Length of track
GH = Glass height
H = All over height
LH = Clear opening height
LW = Clear opening width
t = Glass thickness
(8–13.5 mm)
v = Distance wall to glass
BL = Drilling line

In case of using an adapter profile a timber sliding panel is possible (see on page 41).

TYPICAL ASSEMBLIES FIXED AT CEILING



Fixed at ceiling



* up to 0 mm, if the assembly can be loaded from the side

Torque for screws in the clamp-carriers **12 Nm**

Glass preparation
see page 59

Features and Data

AGILE 150 DORMOTION

For installations with one or two door panels; fixed at ceiling; for 8–13.5 mm glass thicknesses (continuous)

Max. weight of door panels

80 kg for DORMOTION Set Type L
150 kg for DORMOTION Set Type XL

Calculation of glass height

$GH = H - 42 \text{ mm}$
(see drawing)

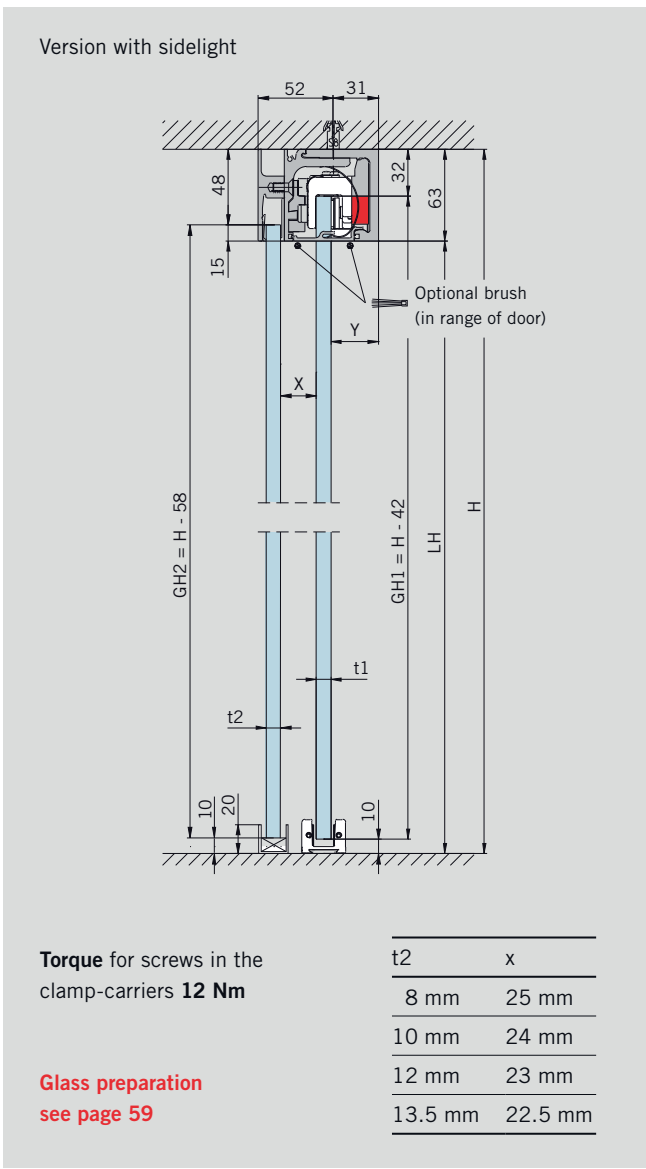
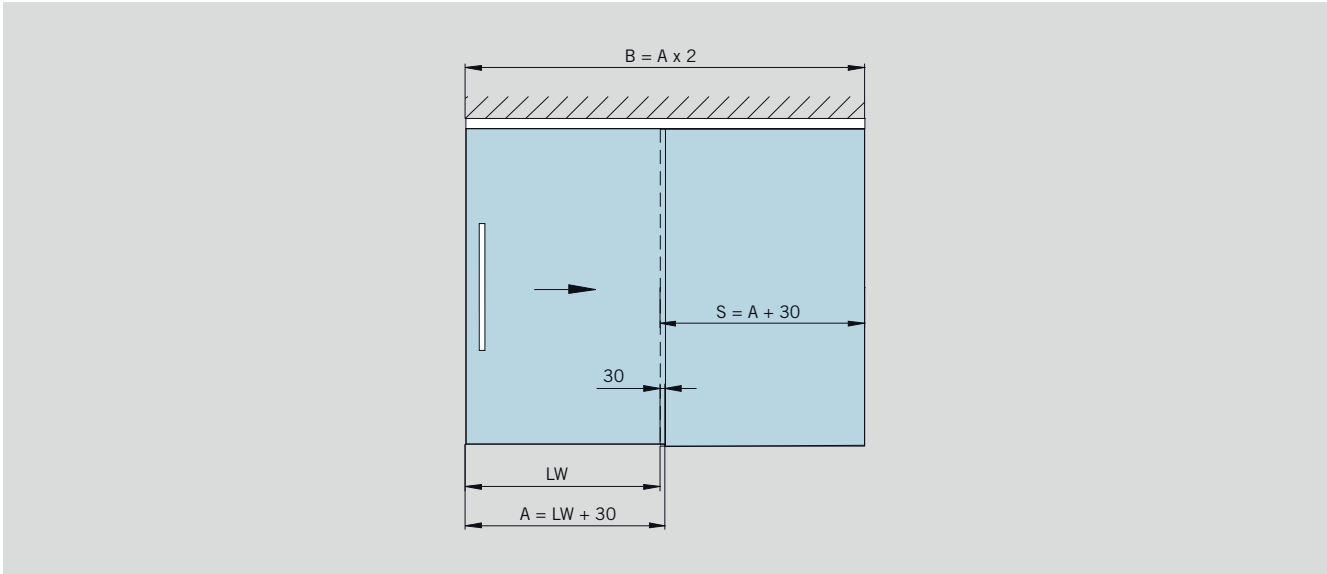
Calculation of glass width

$A = LW + 60 \text{ mm}$
(min. 830 mm for DORMOTION Set Type L, min. 1160 mm for DORMOTION Set Type XL)

- A = Glass width
- B = Length of track
- GH = Glass height
- H = All over height
- LH = Clear opening height
- LW = Clear opening width
- t = Glass thickness (8–13.5 mm)
- Y = $64.5 \text{ mm} - (22 \text{ mm} + t)$

In case of using an adapter profile a timber sliding panel is possible (see on page 41).

TYPICAL ASSEMBLIES WITH SIDELIGHT, ON ONE SIDE



Features and Data

AGILE 150 DORMOTION

For installations with one door panel with sidelight, on one side, for 8–13.5 mm glass thicknesses (continuous)

Max. weight of door leaves

80 kg for DORMOTION Set Type L
150 kg for DORMOTION Set Type XL

Calculation of glass height

G1 = H - 42 mm or
G2 = H - 58 mm
(see drawing)

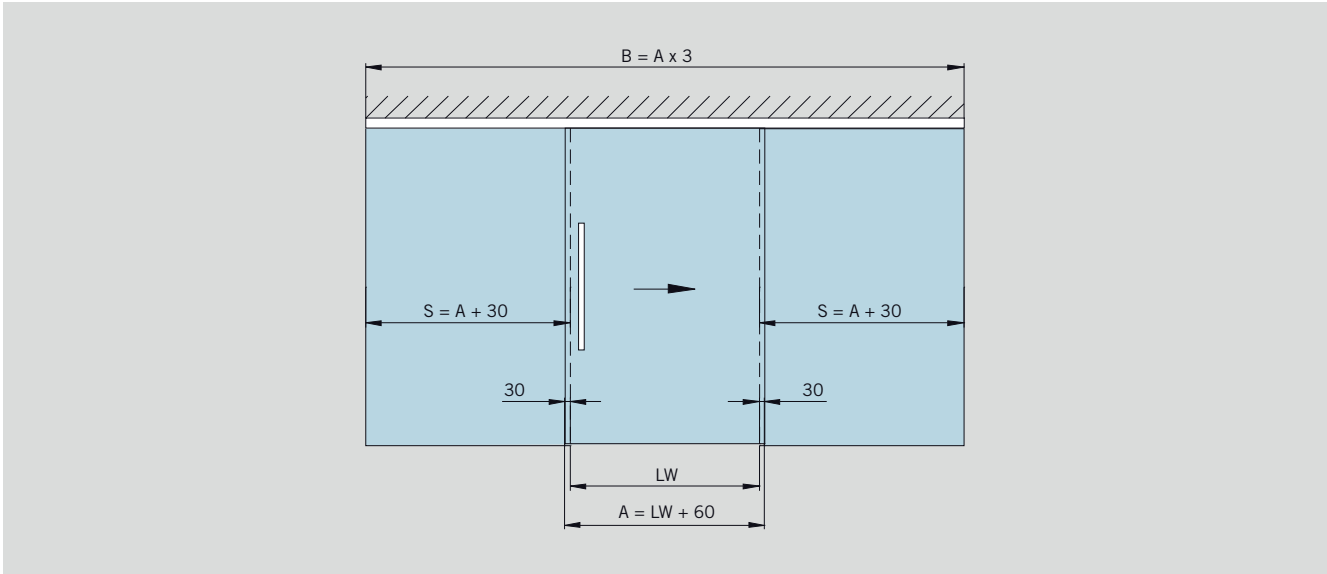
Calculation of glass width at one sidelight (left/right)

A = LW + 30 mm
(min. 830 mm for DORMOTION Set Type L, min. 1160 mm for DORMOTION Set Type XL)

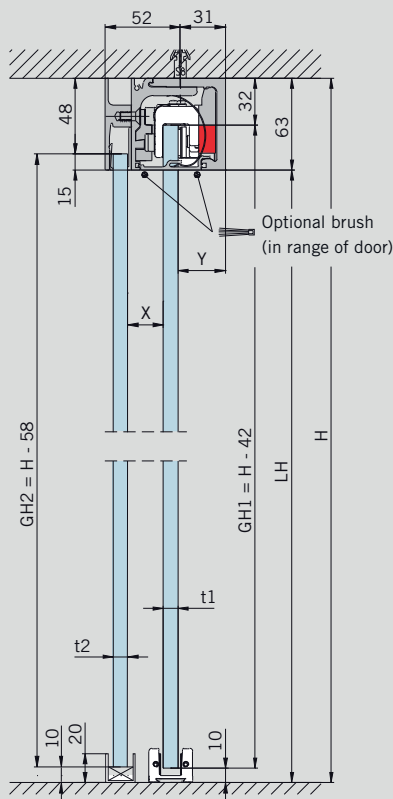
- A = glass width sliding door
- B = length of track
- GH1 = glass height sliding door
- GH2 = glass height sidelight
- H = total height
- LH = clear opening height
- LW = clear opening width
- S = glass width sidelight
- t1 = glass thickness sliding door
- t2 = glass thickness sidelight
- Y = 83 mm - (40 mm + t1)

In case of using an adapter profile a timber sliding panel is possible (see on page 41).

TYPICAL ASSEMBLIES WITH SIDELIGHTS, ON BOTH SIDES



Version with sidelight



Torque for screws in the clamp-carriers **12 Nm**

Glass preparation
see page 59

t2	x
8 mm	25 mm
10 mm	24 mm
12 mm	23 mm
13.5 mm	22.5 mm

Features and Data

AGILE 150 DORMOTION

For installations with one door panel with sidelights, on both sides, for 8–13.5 mm glass thicknesses (continuous)

Max. weight of door panels

80 kg for DORMOTION Set Type L
150 kg for DORMOTION Set Type XL

Calculation of glass height

$G1 = H - 42$ mm or
 $G2 = H - 58$ mm
(see drawing)

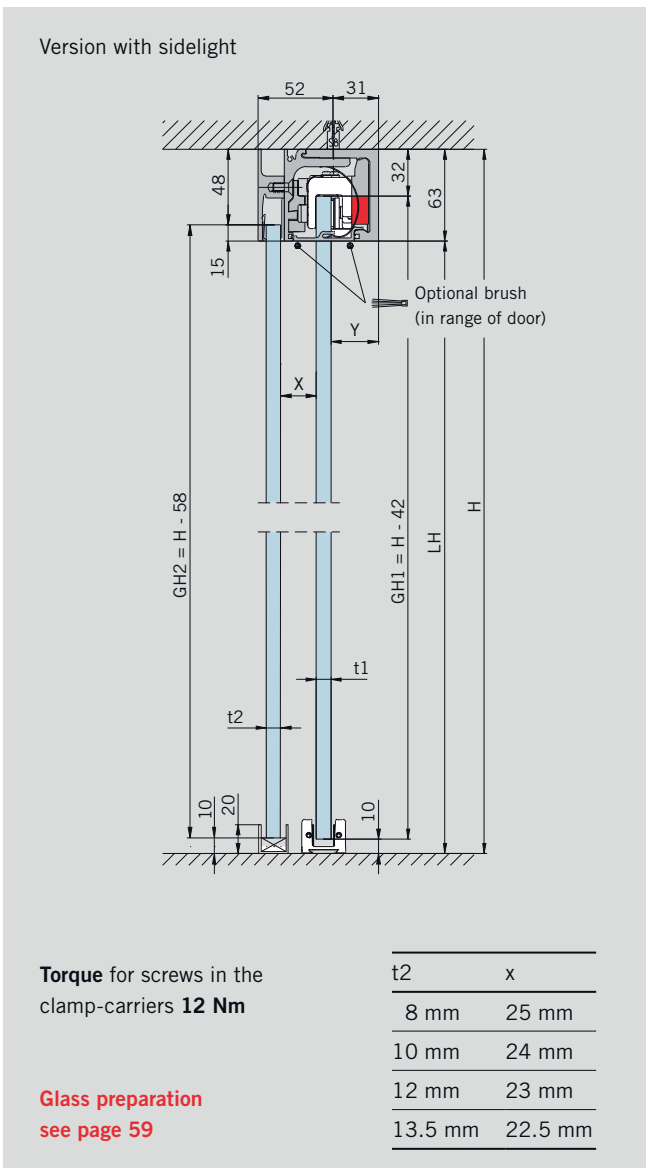
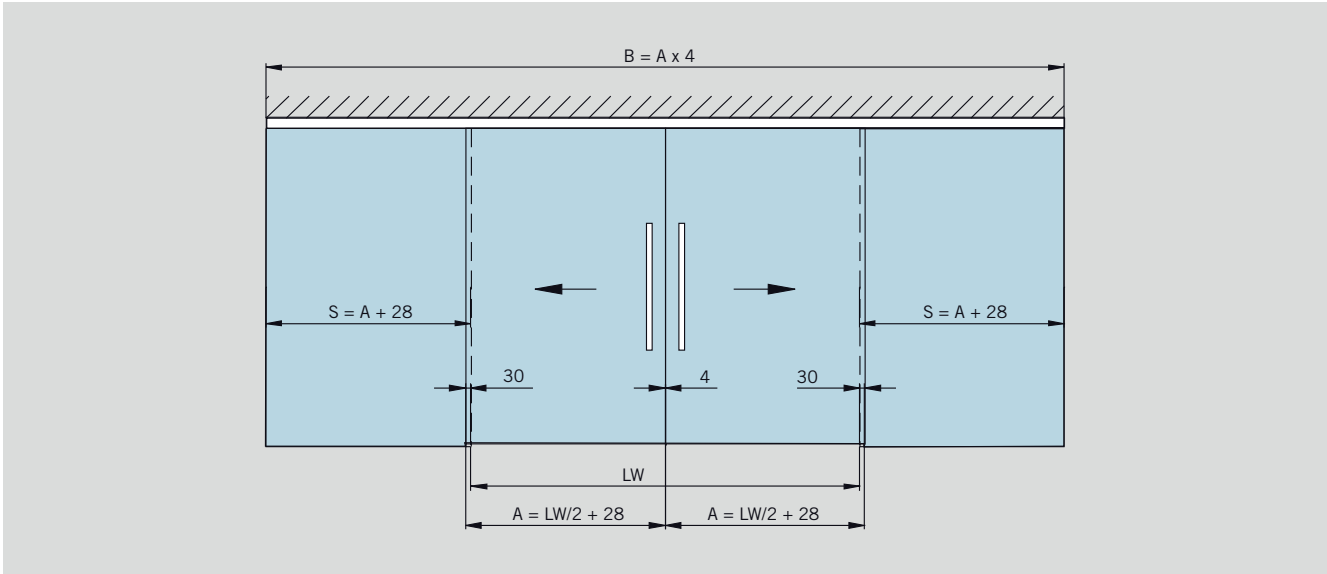
Calculation of glass width at sidelights left + right

$A = LW + 60$ mm
(min. 830 mm for DORMOTION Set Type L, min. 1160 mm for DORMOTION Set Type XL)

- A = glass width sliding door
- B = length of track
- GH1 = glass height sliding door
- GH2 = glass height sidelight
- H = total height
- LH = clear opening height
- LW = clear opening width
- S = glass width sidelight
- t1 = glass thickness sliding door
- t2 = glass thickness sidelight
- Y = 83 mm - (40 mm + t1)

In case of using an adapter profile a timber sliding panel is possible (see on page 41).

TYPICAL ASSEMBLIES WITH TWO DOOR PANELS WITH SIDELIGHTS



Features and Data

AGILE 150 DORMOTION

For installations with two door panels with sidelights, for 8–13.5 mm glass thicknesses (continuous)

Max. weight of door panels

80 kg for DORMOTION Set Type L
150 kg for DORMOTION Set Type XL

Calculation of glass height

G1 = H - 42 mm or
G2 = H - 58 mm
(see drawing)

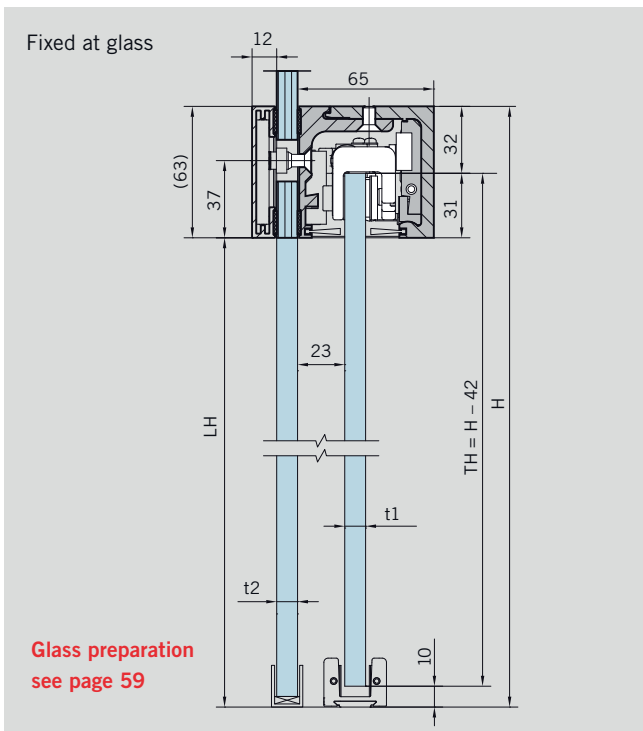
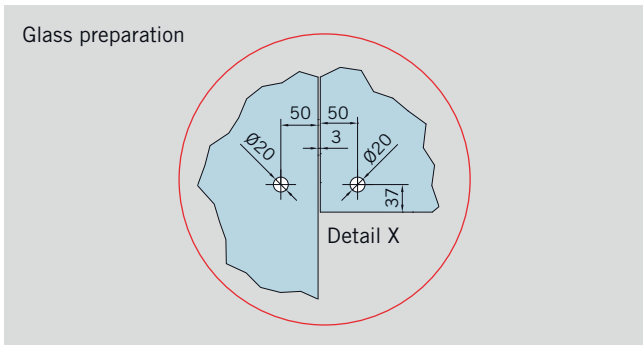
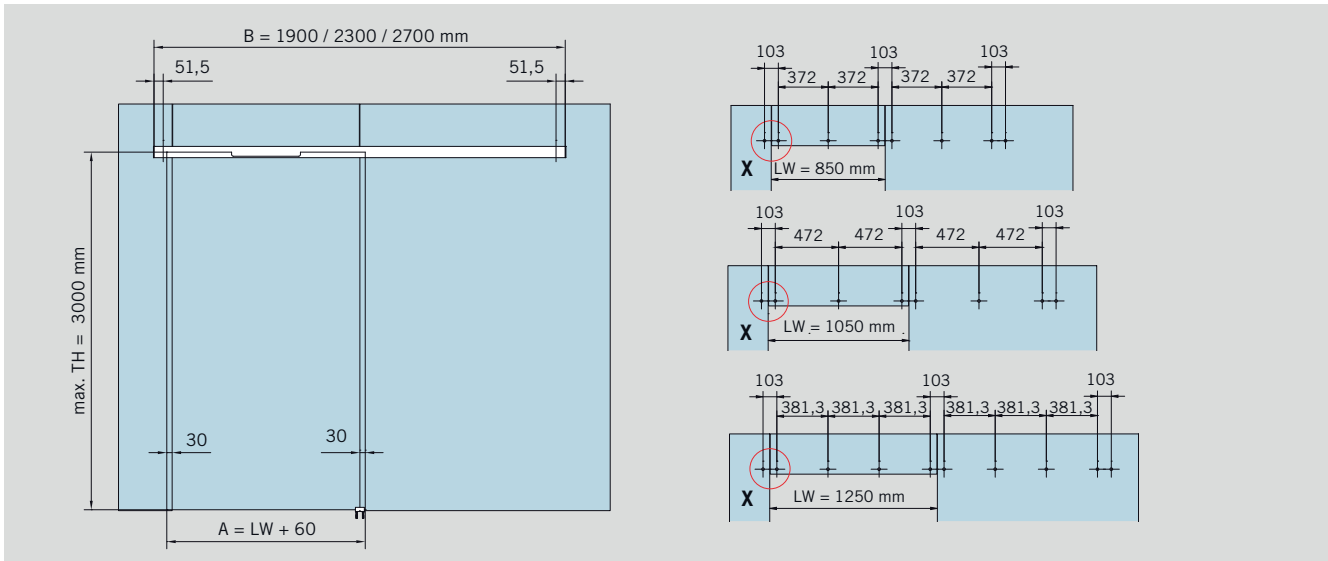
Calculation of glass width at double panelled doors with sidelights left + right

A = LW / 2 + 28 mm
(min. 830 mm for DORMOTION Set Type L, min. 1160 mm for DORMOTION Set Type XL)

- A = glass width sliding door
- B = length of track
- GH1 = glass height sliding door
- GH2 = glass height sidelight
- H = total height
- LH = clear opening height
- LW = clear opening width
- S = glass width sidelight
- t1 = glass thickness sliding door
- t2 = glass thickness sidelight
- Y = 83 mm - (40 mm + t1)

In case of using an adapter profile a timber sliding panel is possible (see on page 41).

COMPACT TYPICAL ASSEMBLIES SLIDING DOOR SETS, FIXED AT GLASS



Features and Data

AGILE 150 DORMOTION to glass

For installations with one panel fixed at glass, for 8–13.5 mm glass thicknesses (continuous)

Max. weight of door panels

80 kg for DORMOTION Set Type L
150 kg for DORMOTION Set Type XL

Calculation of glass height

$TH = H - 42 \text{ mm}$
(see drawing)

Calculation of glass width at sidelights left + right

$A = LW + 60 \text{ mm}$
(min. 910 mm for DORMOTION Set Type L, min. 1310 mm for DORMOTION Set Type XL)

Torque for screws in the clamp-carriers

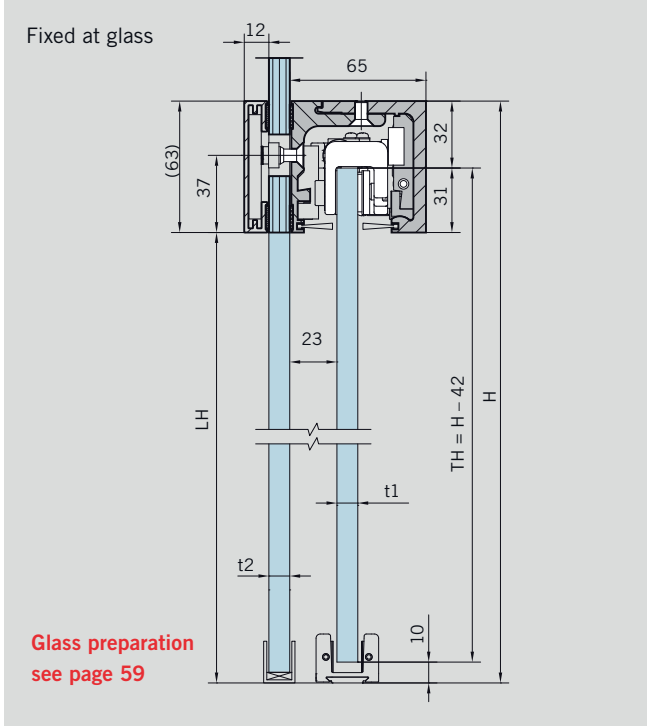
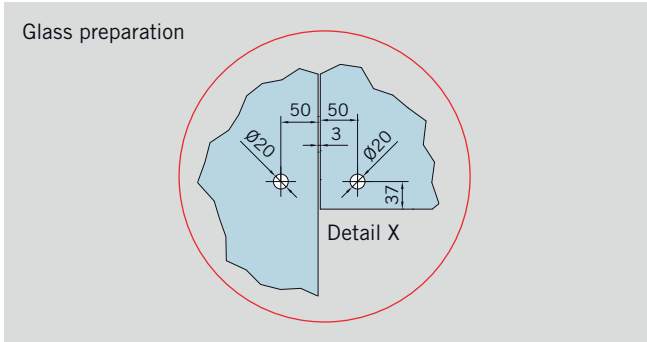
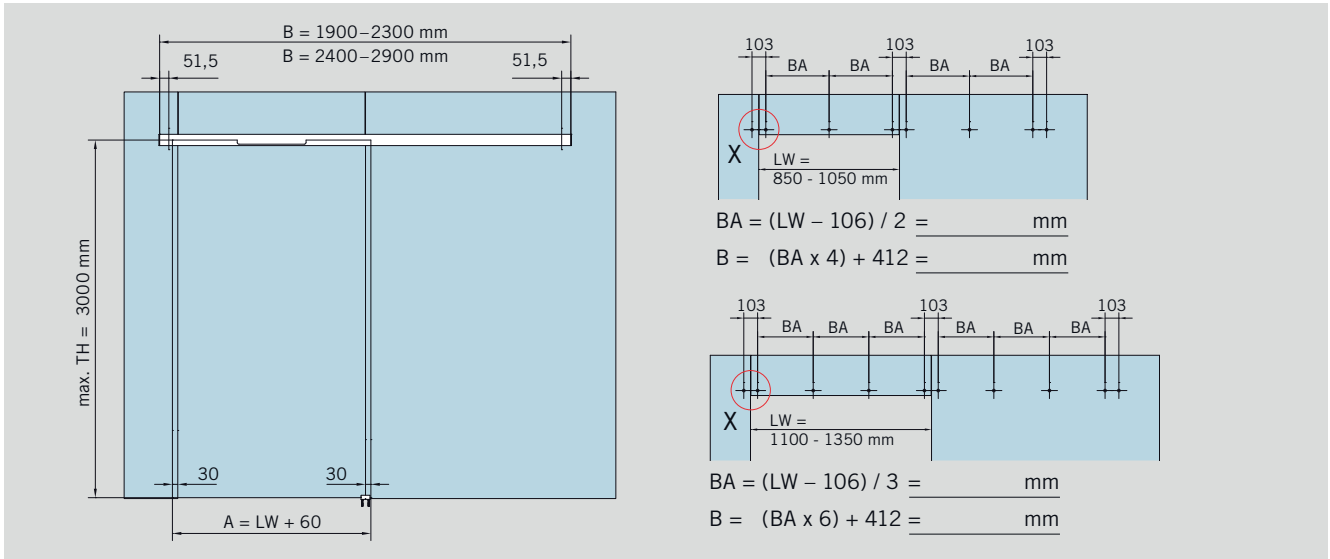
12 Nm

- A = glass width sliding door
- B = length of track
- H = total height
- LH = clear opening height
- LW = clear opening width
- TH = door height
- t1 = glass thickness sliding door (8–13,5 mm)
- t2 = glass thickness fixed panel (10–19 mm)

In case of using an adapter profile a timber sliding panel is possible (see on page 41).

CONCEPT

TYPICAL ASSEMBLIES SLIDING DOOR SETS, FIXED AT GLASS



Features and Data

AGILE 150 DORMOTION to glass

For installations with one panel fixed at glass, for 8–13.5 mm glass thicknesses (continuous)

Max. weight of door panels

80 kg for DORMOTION Set Type L
150 kg for DORMOTION Set Type XL

Calculation of glass height

TH = H - 42 mm
(see drawing)

Calculation of glass width at sidelights left + right

A = LW + 60 mm
(min. 910 mm for DORMOTION Set Type L, min. 1310 mm for DORMOTION Set Type XL)

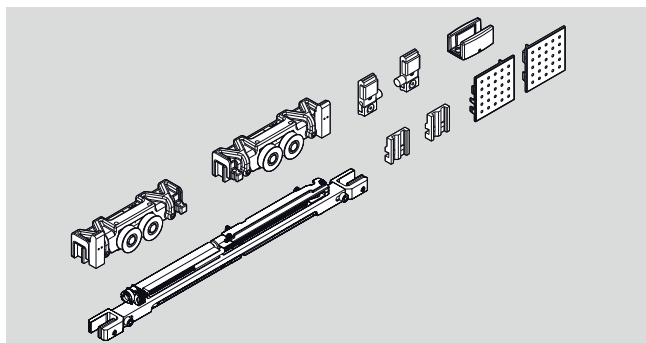
Torque for screws in the clamp-carriers

12 Nm

- A = glass width sliding door
- B = length of track
- BA = drilling distance
- H = total height
- LH = clear opening height
- LW = clear opening width
- TH = door height
- t1 = glass thickness sliding door (8–13,5 mm)
- t2 = glass thickness fixed panel (10–19 mm)

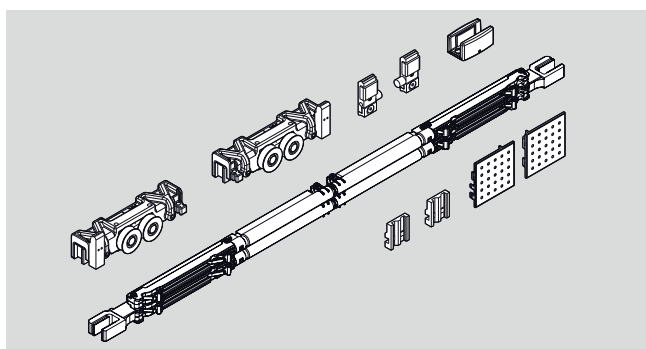
In case of using an adapter profile a timber sliding panel is possible (see on page 41).

ROLLER CARRIER SETS



AGILE 150 DORMOTION Set **Art. No. 07.582**

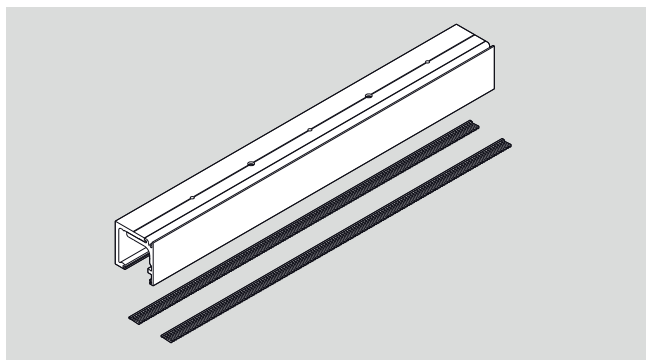
Type L (up to 80 kg),
consisting of:
2 clamp carriers with end stop,
anti-jump mechanism,
1 floor guide,
both-way cushioning/spring
mechanism (DORMOTION),
Set Type L + starter,
2 end caps



AGILE 150 DORMOTION Set **Art. No. 07.583**

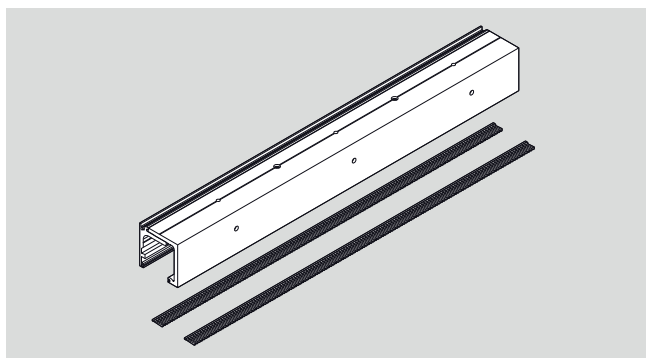
Type XL (up to 150 kg),
consisting of:
2 clamp carriers with end stop,
anti-jump mechanism,
1 floor guide,
both-way cushioning/spring
mechanism (DORMOTION)
Set Type XL + starter,
2 end caps

PROFILE SETS



AGILE 150 DORMOTION **Art. No. 07.590**

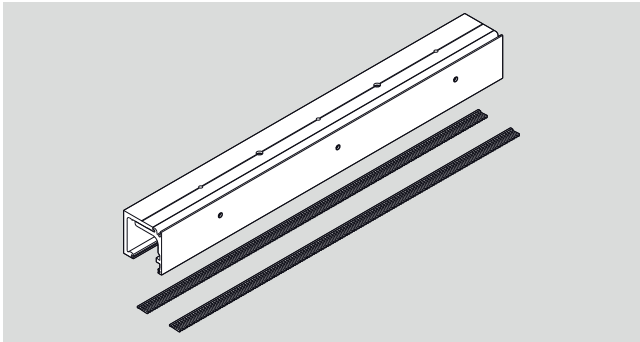
Profile set for track fixed at ceiling,
fixed length,
consisting of:
AGILE 150 DORMOTION
track rail for wall and ceiling
installation,
AGILE 150 DORMOTION angle
profile for ceiling installation
(min. panel width 830 mm
type L, 1160 mm type XL)



AGILE 150 DORMOTION **Art. No. 07.593**

Profile set fixed directly at track / wall,
fixed length,
consisting of:
AGILE 150 DORMOTION
track rail for direct track / wall
installation,
AGILE 150 DORMOTION angle
profile for ceiling installation
(min. panel width 830 mm
type L, 1160 mm type XL)

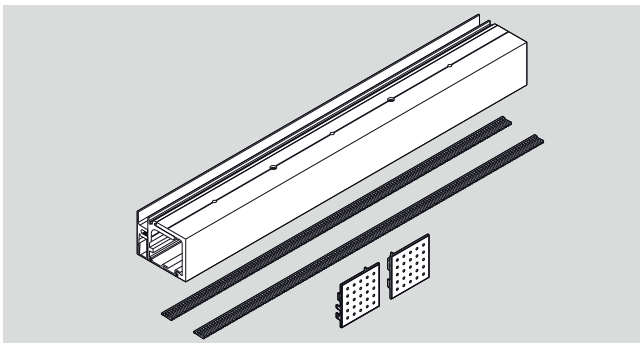
PROFILE SETS



AGILE 150 DORMOTION

Art. No. 07.591

Profile set for track fixed at wall,
fixed length,
consisting of:
AGILE 150 DORMOTION
track rail for wall and ceiling
installation,
AGILE 150 DORMOTION angle
profile for wall installation (min.
panel width 830 mm type L,
1160 mm type XL)

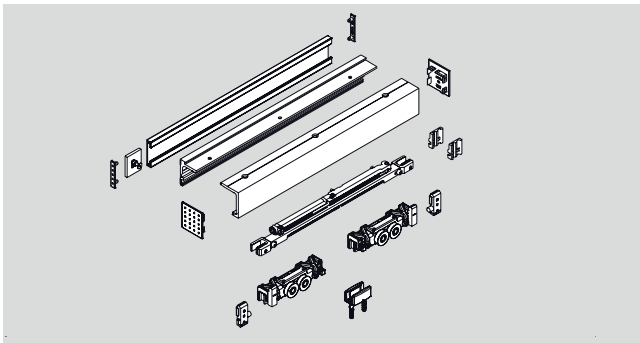


AGILE 150 DORMOTION

Art. No. 07.592

Profile set for track fixed at
ceiling, fixed length,
consisting of:
AGILE 150 DORMOTION track
rail, angle-, sidelight-, view
protection- and filling profile
(min. panel width 830 mm
type L, 1160 mm type XL)

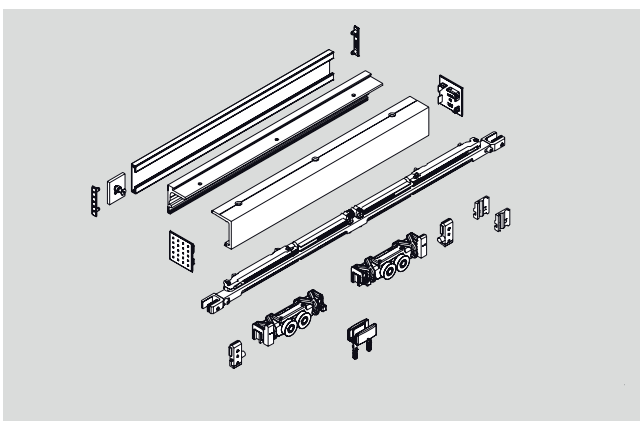
COMPACT SLIDING DOOR SETS FIXED AT GLASS FOR SELECTED CLEAR OPENING WIDTH



AGILE 150 DORMOTION sliding door set

fixed at overpanel,
complete consisting of:
AGILE 150 DORMOTION track,
counter profile incl. fixing
plates,
AGILE 150 DORMOTION Set
Type L,
end caps,
view protection brushes

Clear open- ing width	850	1050
Track	1900	2300
Art. No.	07.700	07.701

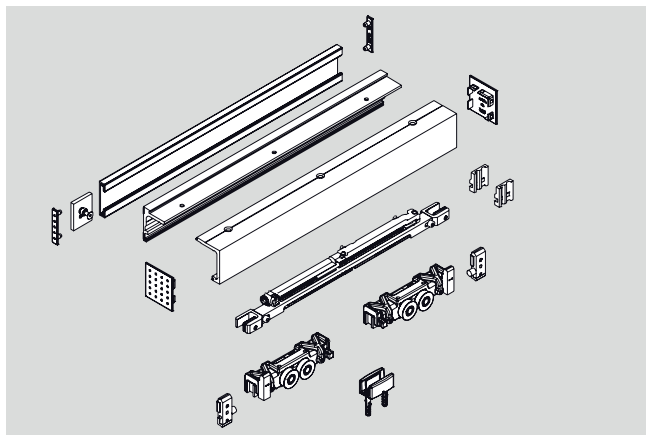


AGILE 150 DORMOTION sliding door set

Art. No. 07.702

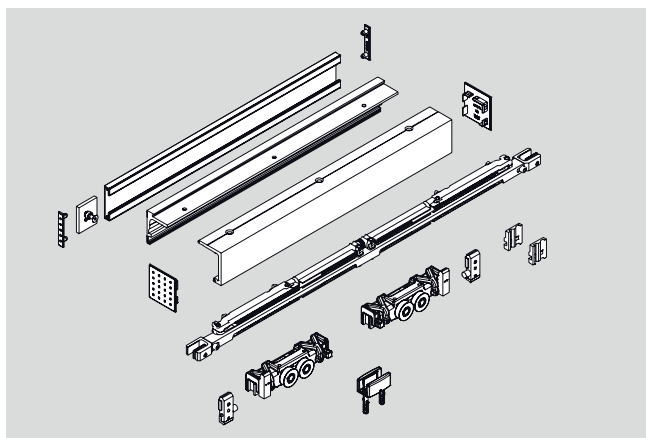
fixed at overpanel,
for selected clear opening width
1250 mm,
complete consisting of:
AGILE 150 DORMOTION track
(2700 mm),
counter profile (2700 mm),
incl. fixing plates,
AGILE 150 DORMOTION Set
Type XL,
end caps,
view protection brushes

CONCEPT SLIDING DOOR SETS FIXED AT GLASS FOR INDIVIDUAL CLEAR OPENING WIDTH



AGILE 150 DORMOTION sliding door set
fixed at glass
complete consisting of:
AGILE 150 track,
counter profile
incl. fixing plates,
AGILE 150 accessory set,
end caps,
view protection brushes

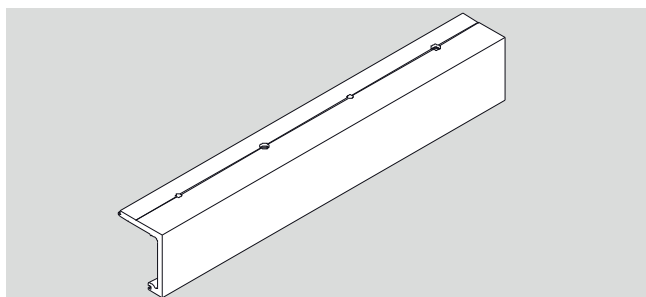
Art. No. 07.706
Clear opening width
850–1050 mm
track 1900–2300 mm



AGILE 150 DORMOTION sliding door set
fixed at glass
complete consisting of:
AGILE 150 track,
counter profile
incl. fixing plates,
AGILE 150 accessory set,
end caps,
view protection brushes

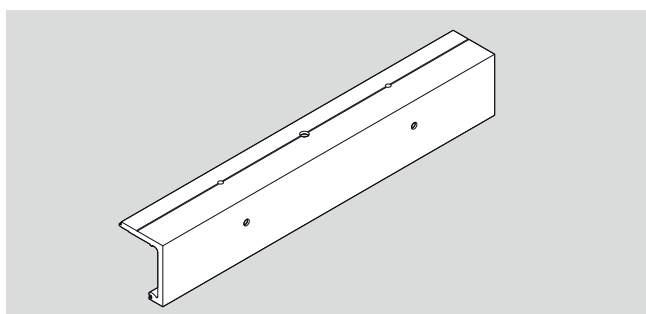
Art. No. 07.707
Clear opening width
1100–1350 mm
track 2400–2900 mm

SINGLE PROFILES



AGILE 150 DORMOTION track rail for wall and ceiling installation

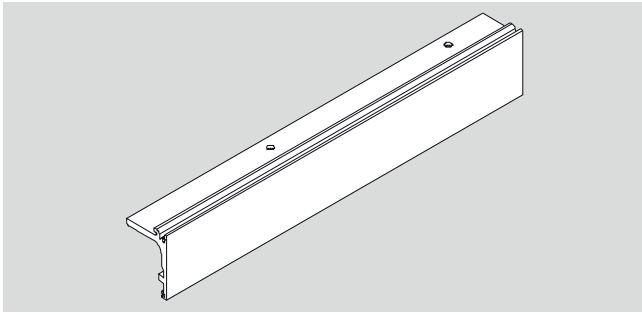
Art. No. 07.560
stock length 6000 mm



AGILE 150 DORMOTION track rail for direct track fixing to wall
in combination with 07.561

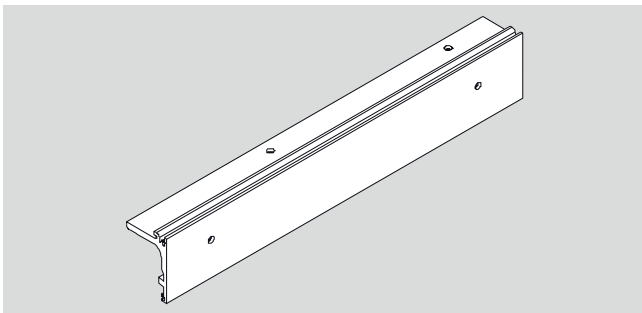
Art. No. 07.566
stock length 6000 mm

SINGLE PROFILES



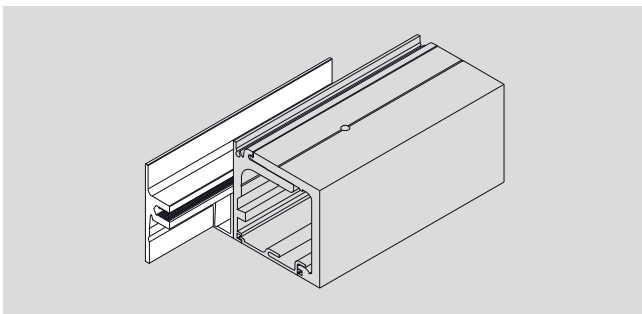
AGILE 150 DORMOTION
angle profile
for ceiling installation /
direct track fixing to wall
 in connection with
 Art. Nr. 07.560/566

Art. No. 07.561
 stock length 6000 mm



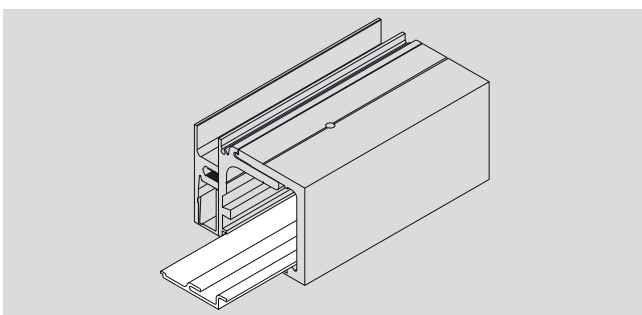
AGILE 150 DORMOTION
angle profile for wall installation

Art. No. 07.562
 stock length 6000 mm



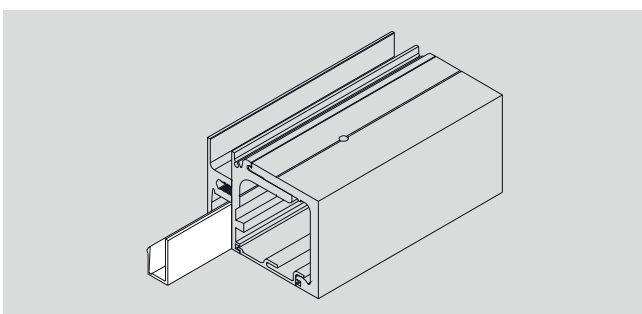
AGILE 150 DORMOTION
sidelight profile
 only in connection with 07.562

Art. No. 07.563
 stock length 6000 mm



AGILE 150 DORMOTION
view protection profile for
versions with sidelights

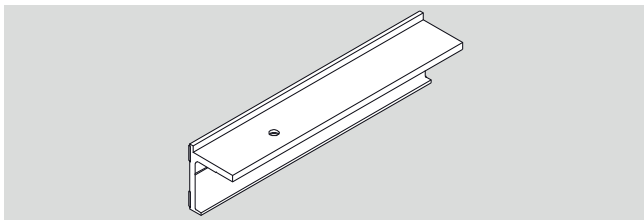
Art. No. 07.564
 stock length 6000 mm



AGILE 150 DORMOTION
filling profile for sidelight profile
07.563

Art. No. 07.565
 stock length 6000 mm

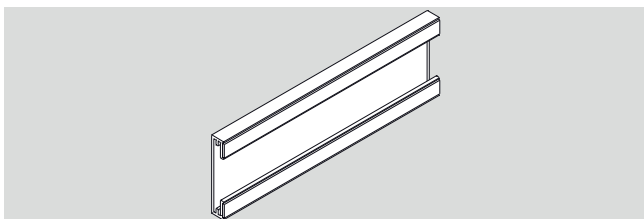
COMPONENT PARTS AGILE 150 TO GLASS



AGILE 150 DORMOTION
Glass connection profile
 fixed at glass

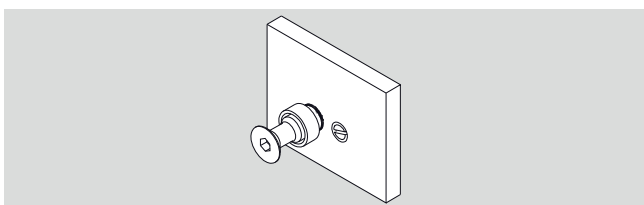
Art. No. 07.712
 stock length 6000 mm

Note: The profile has to be adapted with drillings for fixing to glass individually on site.



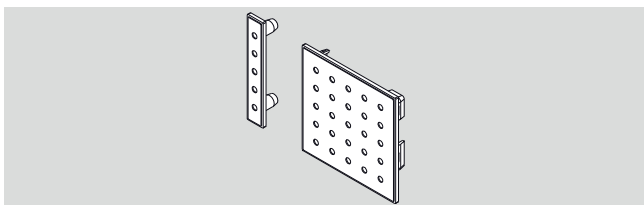
AGILE 150 DORMOTION
counter profile
 fixed at glass

Art. No. 07.710
 stock length 6000 mm



AGILE 150 DORMOTION
fixing plates
 fixed at glass
 (bag with 2 pcs.),
 incl. connecting screws

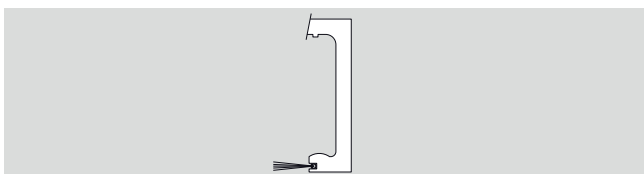
Art. No. 07.282



AGILE 150 DORMOTION
set end caps
 fixed at glass
 (track + counter profile
 each left / right)

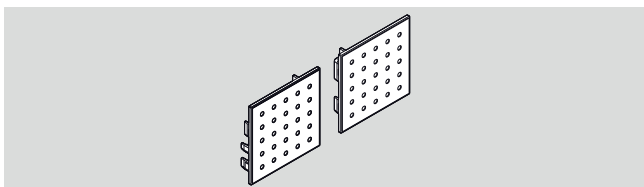
Art. No. 07.731

ACCESSORIES



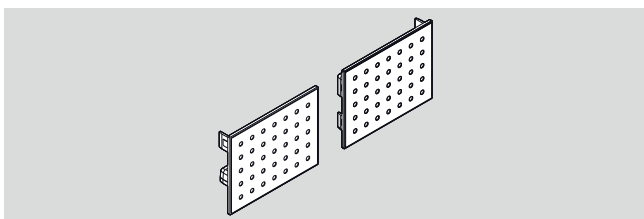
Track brush

Art. No. 07.385
 length 1250 mm



Set end caps
for AGILE DORMOTION
 for wall and ceiling installation

Art. No. 07.724

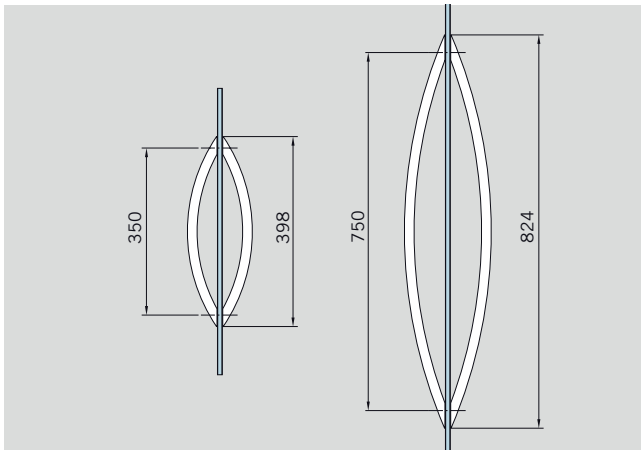


Set end caps
for AGILE DORMOTION
 for versions with sidelights

Art. No. 07.726

Adapter profile for timber applications see page 41.

HANDLE BARS



ARCOS handle bar

Satin stainless steel or aluminium
for 8, 10, 12 mm glass thicknesses

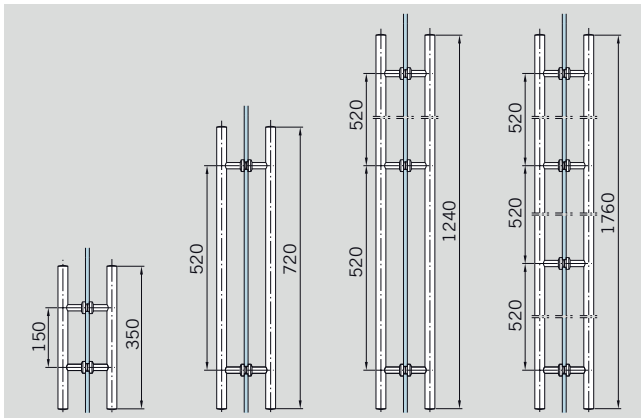
Art. No. 26.500

length 350 mm, 2 hole fixing

Art. No. 26.510

length 750 mm, 2 hole fixing

Glass preparation see page 76



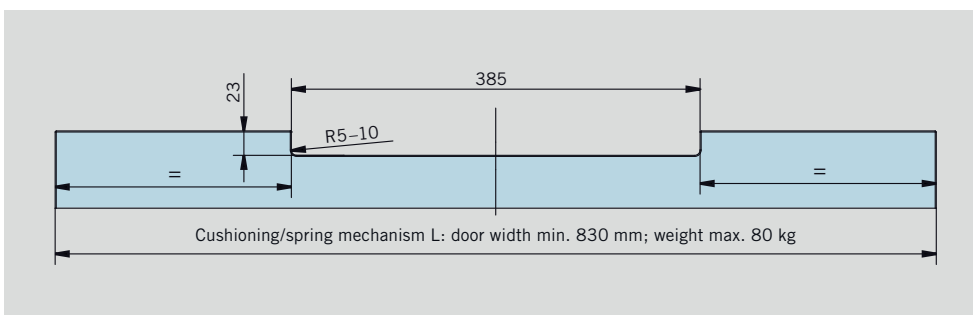
Pair of handle bars

Satin stainless steel or aluminium
for 8, 10, 12 mm glass thicknesses

Length	Material type	Art. No.
350 mm	satin stainless steel	21.267
	aluminium	03.400
720 mm	satin stainless steel	21.270
	aluminium	03.402
1240 mm	satin stainless steel	21.273
1760 mm	satin stainless steel	21.276

Glass preparation see page 77

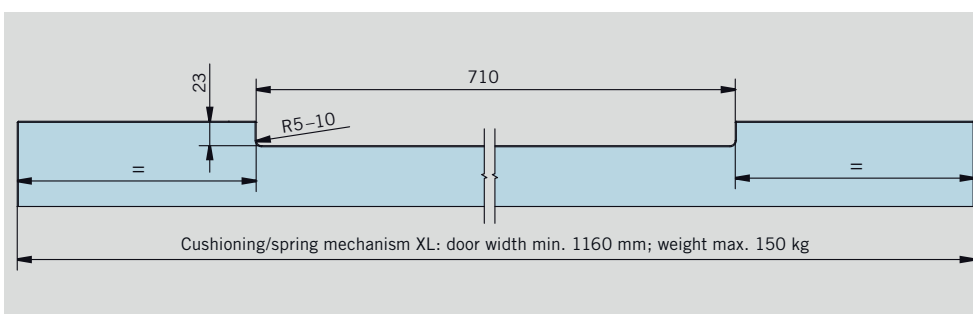
GLASS PREPARATION



AGILE 150 DORMOTION

Set Type L

(up to 80 kg)



AGILE 150 DORMOTION

Set Type XL

(up to 150 kg)

RSP 80

General information

62

Set components

63–65

Glass preparation

63

Wood preparation

65

Accessories

75–78



A SAFE CONNECTION



Minimal gap dimensions

Design specifications automatically ensure very small gap dimensions between glass and wall.

Sophisticated track roller assembly – secure hold

The RSP 80 is able to satisfy a wide range of customer requirements up to the highest level: its two visible and maintenance-free roller carriers are rated to support glass panels of up to 80 kg in weight. A total of 4 glass drillholes with diameters of 26 mm serve to locate the glass fixings.

The proven track roller engineering ensures particularly smooth and quiet operation. In terms of running ease, the RSP 80 satisfies the criteria of Class 3 according to EN 1527 – that means that a maximum of 30N of the door mass has to be overcome as initial friction in order to set the door in motion.

Exact stopping

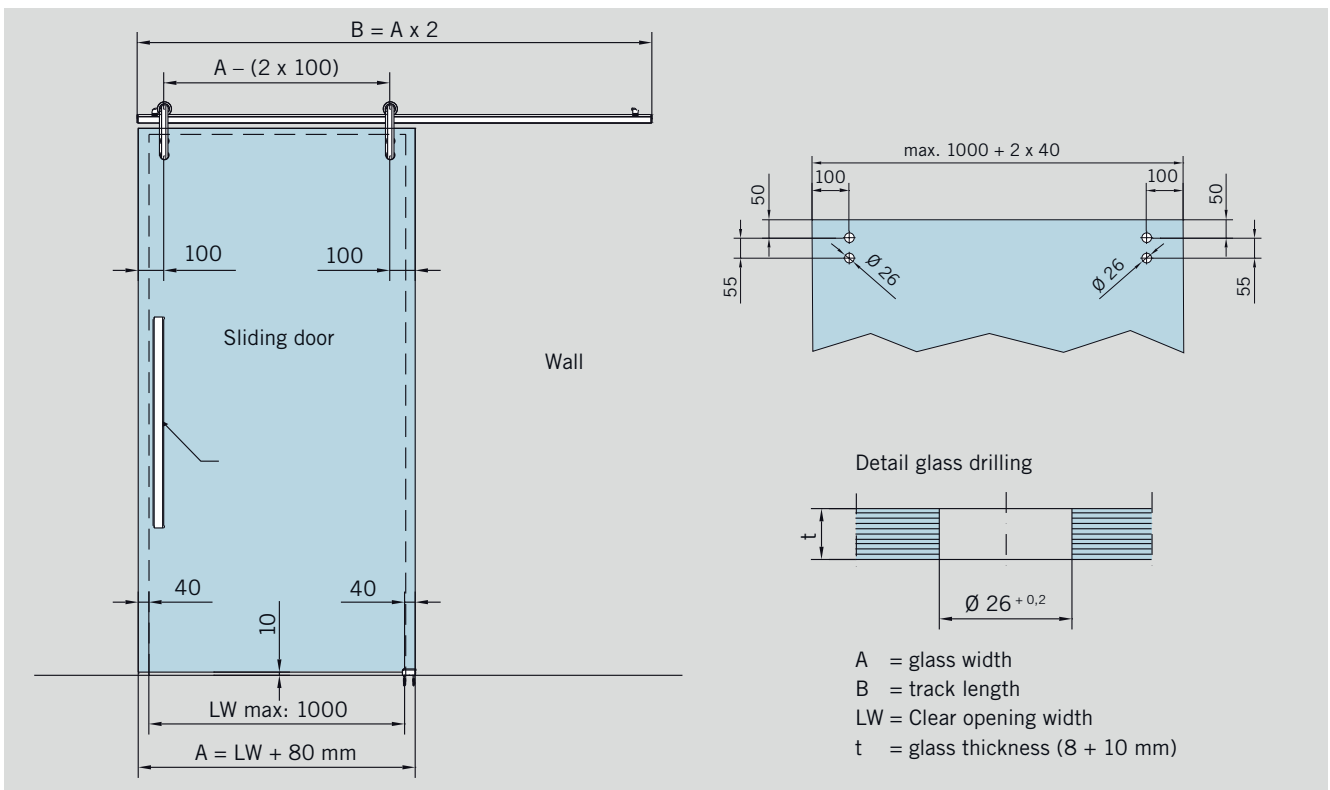
The exact endposition of the door both in the opening and the closing direction is variable thanks to the selectable position of the end stops.

Elegant floor guidance

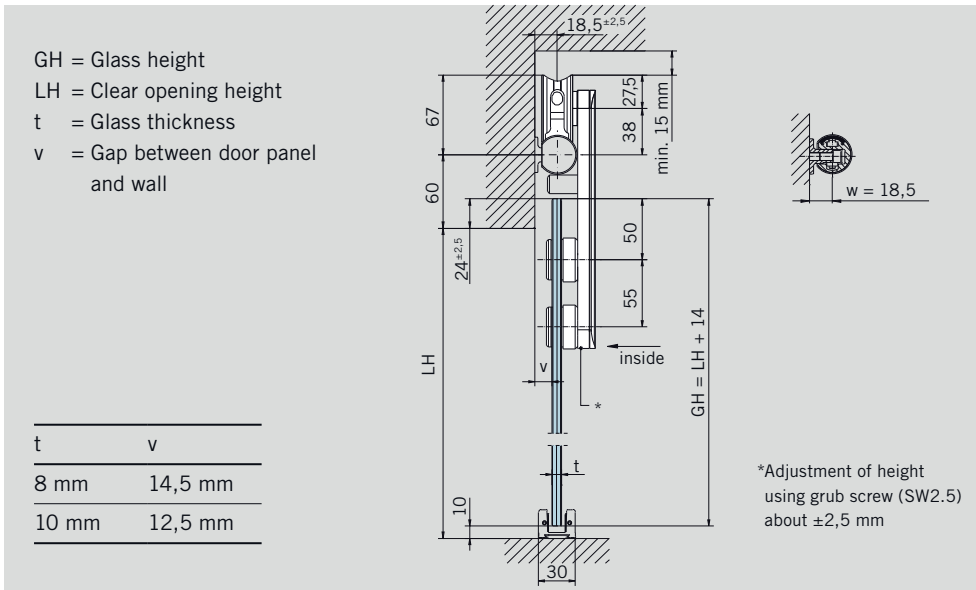
The AGILE floor track offers an impressive combination of effective functionality and attractive design. Its two-part construction means it is very easy to install, and its infinite adjustability between 8 and 13.5 mm ensures safe and secure guidance of the glass panels.

Impressive durability

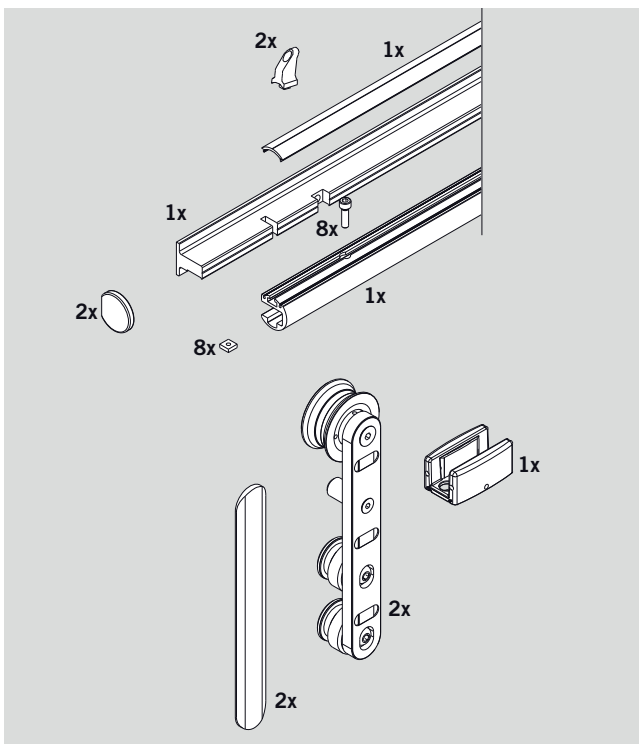
Very long service lifetimes have been proven in protracted tests consisting of over 50,000 motion cycles (to EN 1527). And the RSP 80 range also offers the highest level of corrosion resistance, making these fittings more than suitable for employment in humid rooms (not for sauna, baths or brine bath applications).



GLASS APPLICATIONS



SET AND COMPONENTS FOR GLASS APPLICATIONS



Set

RSP 80 sliding door set for 10 mm glass consisting of track profil (2000 mm) for max. panel width 1080 mm, roller, stopper and floor guide, material: aluminium EV1-Deco

Art. No. 30.700
 Weight in kg 5.6

Components

Roller carrier, stop and floor guide

Art No. 30.701

RSP 80 track profile for mounting to wall

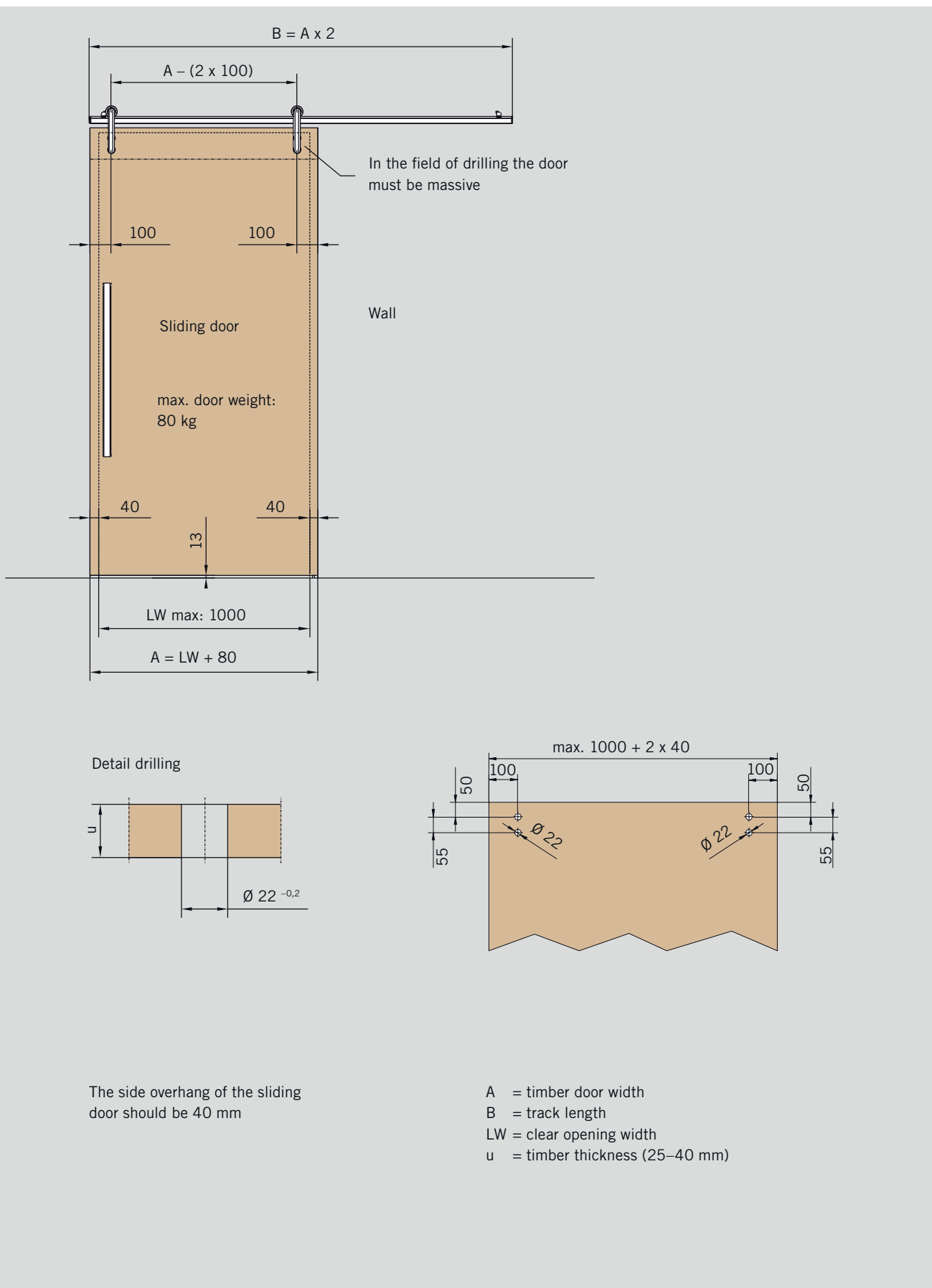
Art No. 30.705
 stock length 6000 mm

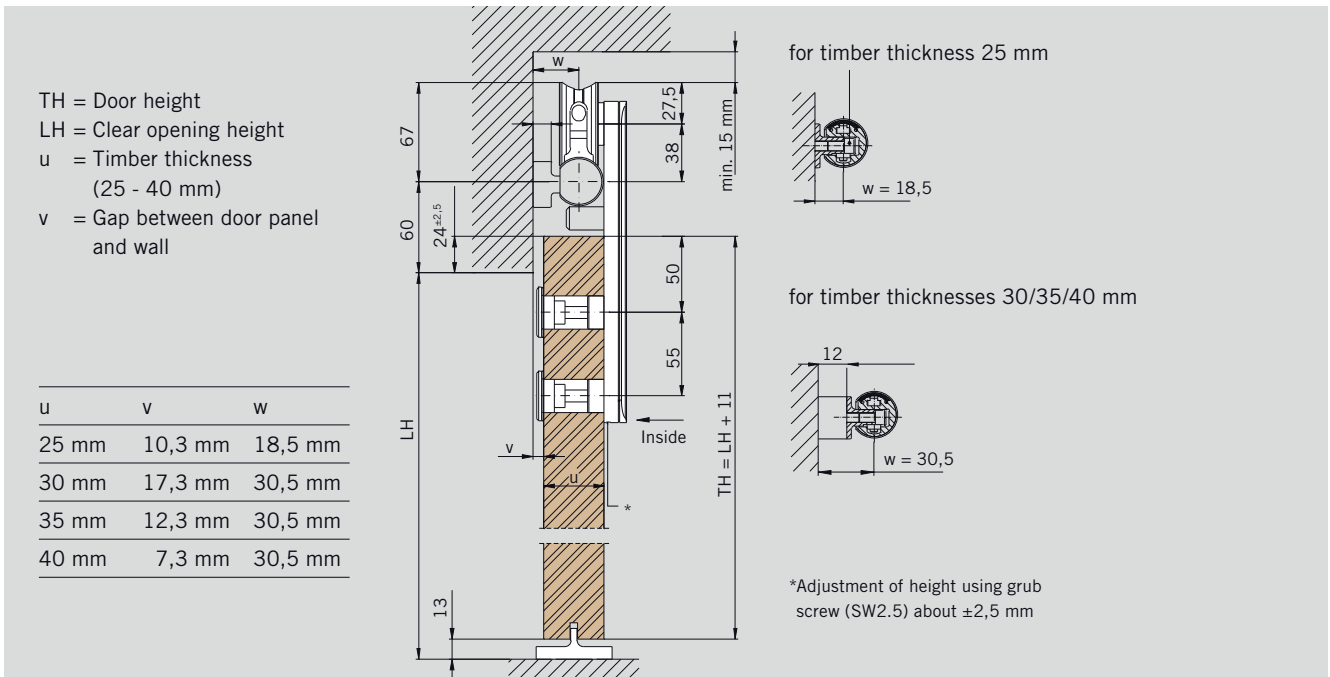
RSP 80 track profile for mounting to wall

(should not go below min. door width 800 mm / track profile 1600 mm)

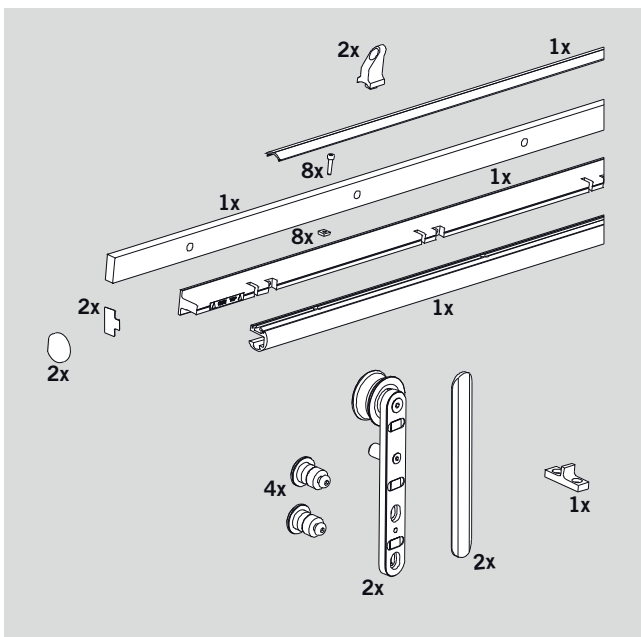
Art No. 30.706
 in fixed length

TIMBER APPLICATIONS





SET AND COMPONENTS FOR TIMBER APPLICATIONS



Set

RSP 80 sliding door set for timber applications (25–40 mm)

Art. No. 30.707

Weight in kg 5.6

consisting of track profil for max. panel width 1080 mm, roller, stopper and floor guide,

material: aluminium EV1-Deco

Components

Roller carrier, stop and floor guide for timber applications

Art No. 30.708

RSP 80 track profile for mounting to wall (timber applications)

Art No. 30.712
 stock length 6000 mm

RSP 80 track profile for mounting to wall (timber applications)

(should not go below min. door width 800 mm / track profile (1600 mm))

Art No. 30.713
 in fixed length

RS 120/RS 120 SYNCRO

General information

68

Typical assemblies

69

Sliding door system

timber doors

70

Fitting modules

71-72

Component parts

72

Accessories

73-74 / 75-78



RS 120/RS 120 SYNCRO



Rugged track

The hollow profiled aluminium track is light yet rugged and resistant to twisting. It can be fixed directly under the ceiling or onto a wall. Cutting to the required size is simplicity itself.

Clip-on covers

The covers are made of aluminium, and are easily clipped onto the track. If the track is top fixed, onto the ceiling, the covers are used on both sides; if the track is side fixed, the cover is used on the exposed side only. The covers also can easily be cut to size.

Sidelight profile

A special profile to be hung and screwed into the track is available for the use with fixed sidelights. It ensures that the sidelight glass is mounted with the correct distance to the track. As a matter of course the sidelight profile can be provided with clip-on covers. Furthermore the free sidelight profile in the passage area can be covered from below by a bottom view protection profile.

Gentle, easy action

The carriers run on large nylon wheels, with needle bearings, giving a quiet and very low friction ride. They are made from high grade, glass fibre reinforced nylon, which is corrosion-resistant and extremely strong.

End stop and holder

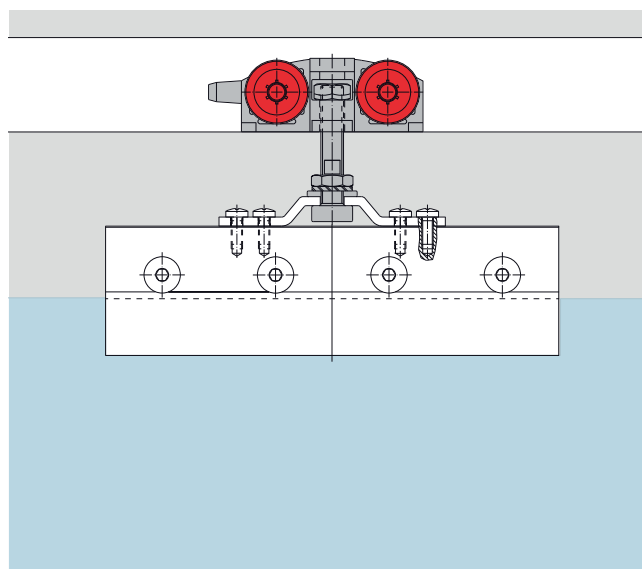
There is a clever device in the track which operates as a cushioned end stop, retaining the door securely in the end positions.

Syncro-Version

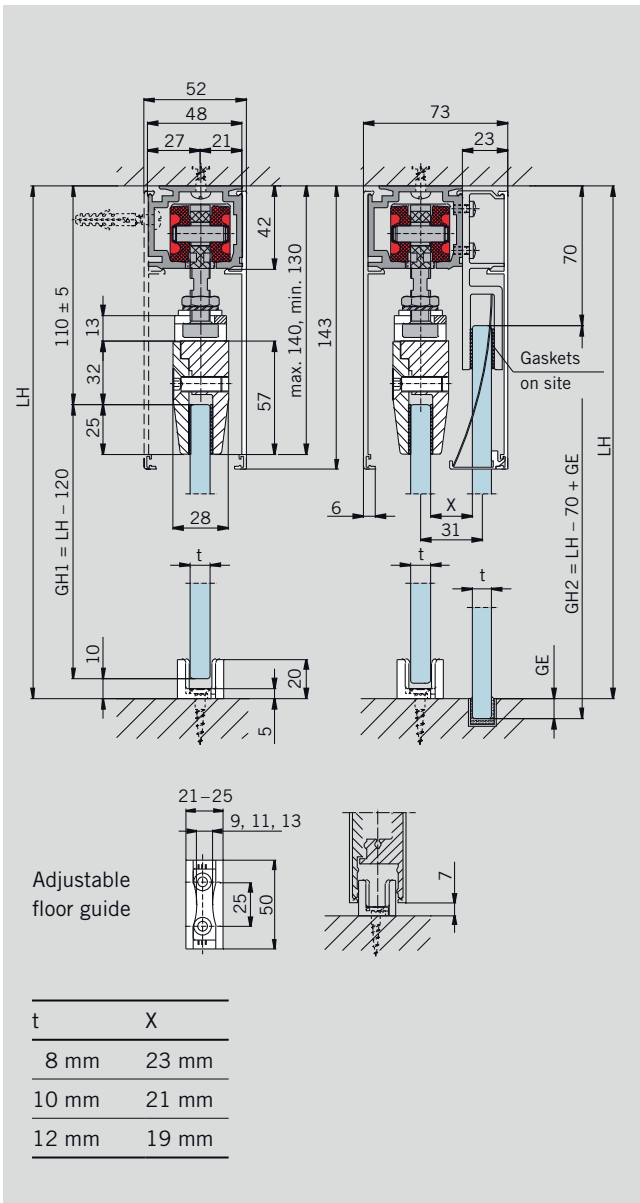
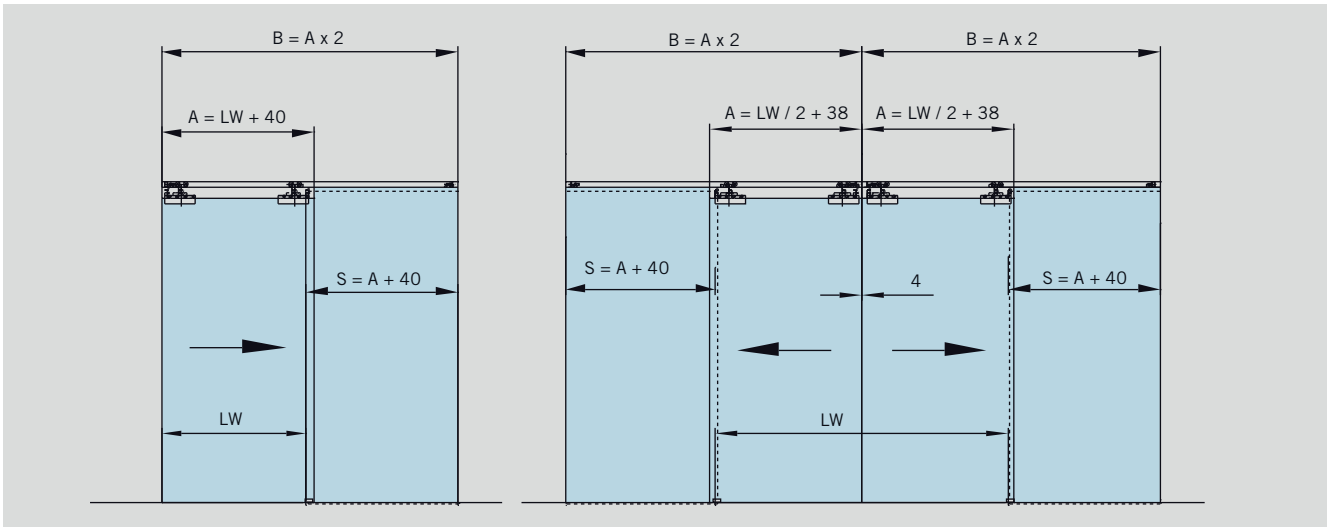
By a special cable and deflection device a synchronously opening system for a two-panel assembly can be realised. For only one of the panels has to be moved, a biggest possible operating convenience for maximum passage width is guaranteed.

No glass preparation

DORMA-Glas has a wide experience in working with toughened glass, and this has led to the development of a clamping system which is all that is required for securing the glass blades in DORMA RS sliding door gear. This has the additional benefit of allowing some door height adjustment, after the doors is hung, without dismantling the already fixed glass.



TYPICAL ASSEMBLIES



Features and Data

RS 120

For one or more door panels, with or without sidelights; 8, 10 and 12 mm glass thickness.

Maximum weight of door panels

No. of carriers	max weight (kg) per door leaf
2	120
3	150

Calculation of glass height

Height of sliding door leaf
 $GH1 = LH - 120$
 (see drawing left hand)

Height of sidelight
 $GH2 = LH - 70 \text{ mm} + GE$
 (see drawing right hand)

Calculation of glass width

Width of sliding door leaf
 $A = LW + 40$ (min. 500)

Width of sidelight
 $S = A + 40$

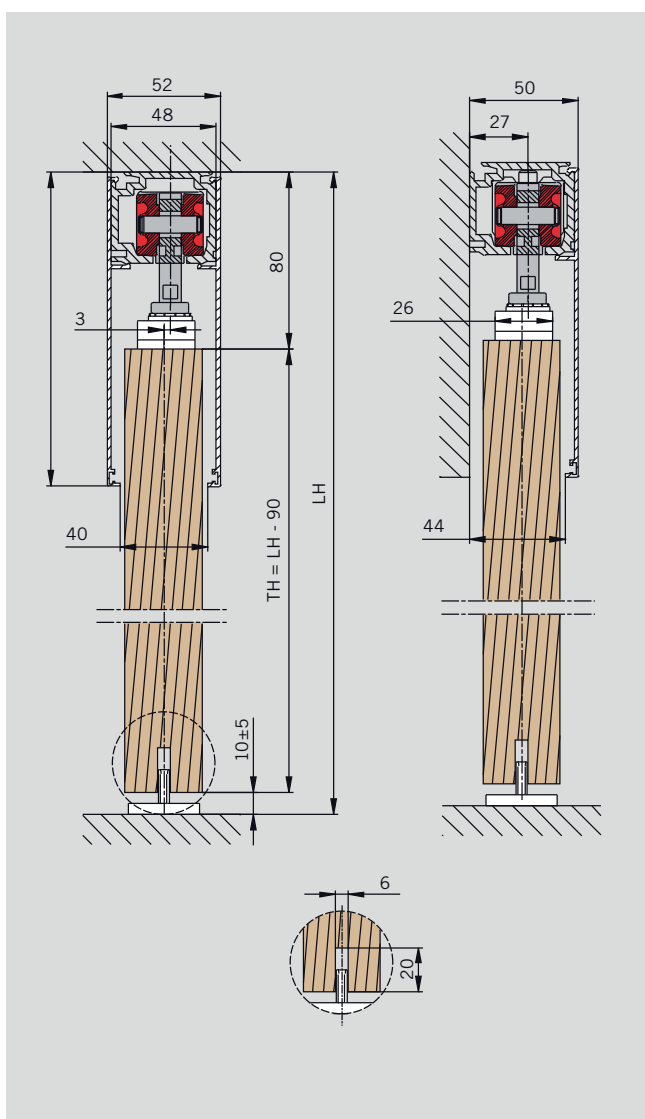
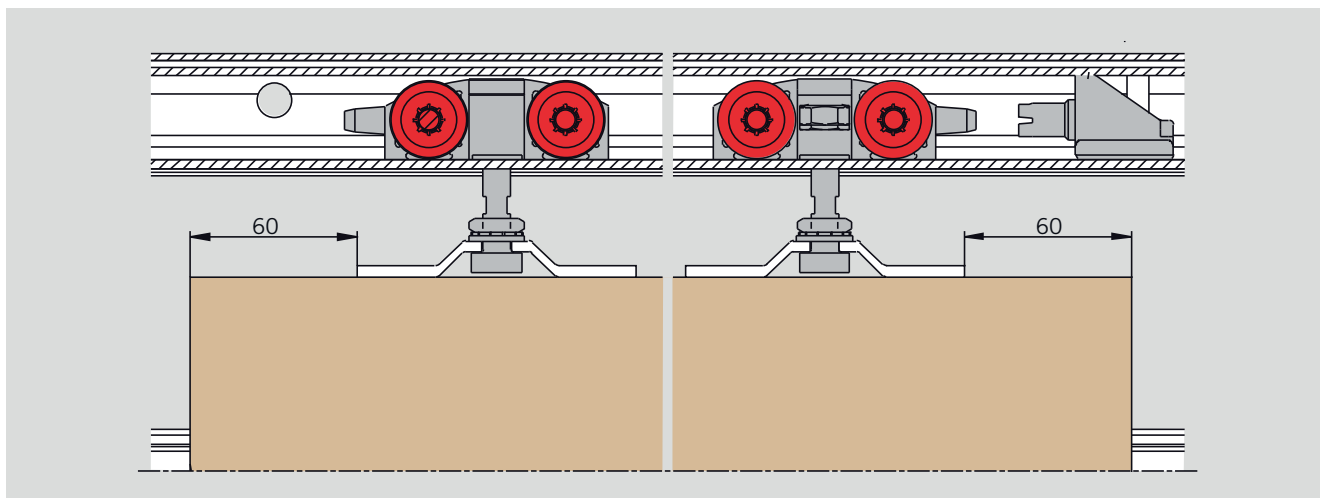
Torque for screws in the clamping patches

20 Nm

- A = Width of door leaf
- B = Length of track
- GH1 = Glass height of sliding door leaf
- GH2 = Glass height of sidelight
- GE = Glass rebate depth
- LH = Clear opening height
- LW = Clear opening width
- S = Width of sidelight
- t = Glass thickness

Note: In order to maximise the protection afforded to the glass, we recommend that spacer 29.420 be fitted to sliding doors that move in opposite directions (see page 40).

SLIDING DOOR SYSTEM FOR TIMBER DOORS



Features and Data

RS 120

For one or more door panels.

Maximum weight of door panels

No. of carriers	max weight (kg) per door leaf
2	120

Calculation of door panel height

Height of sliding door leaf

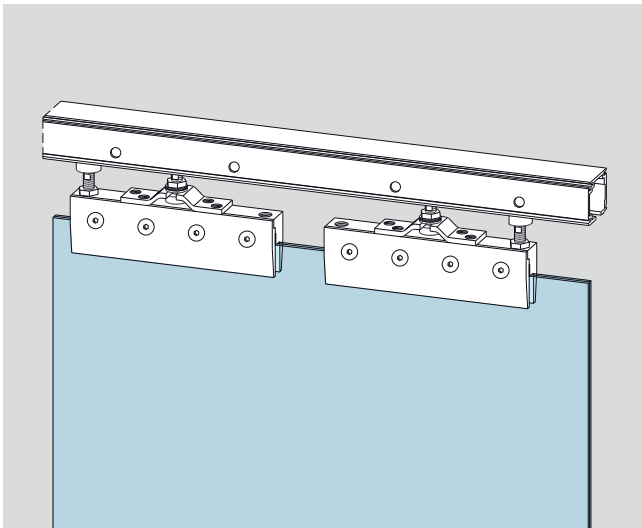
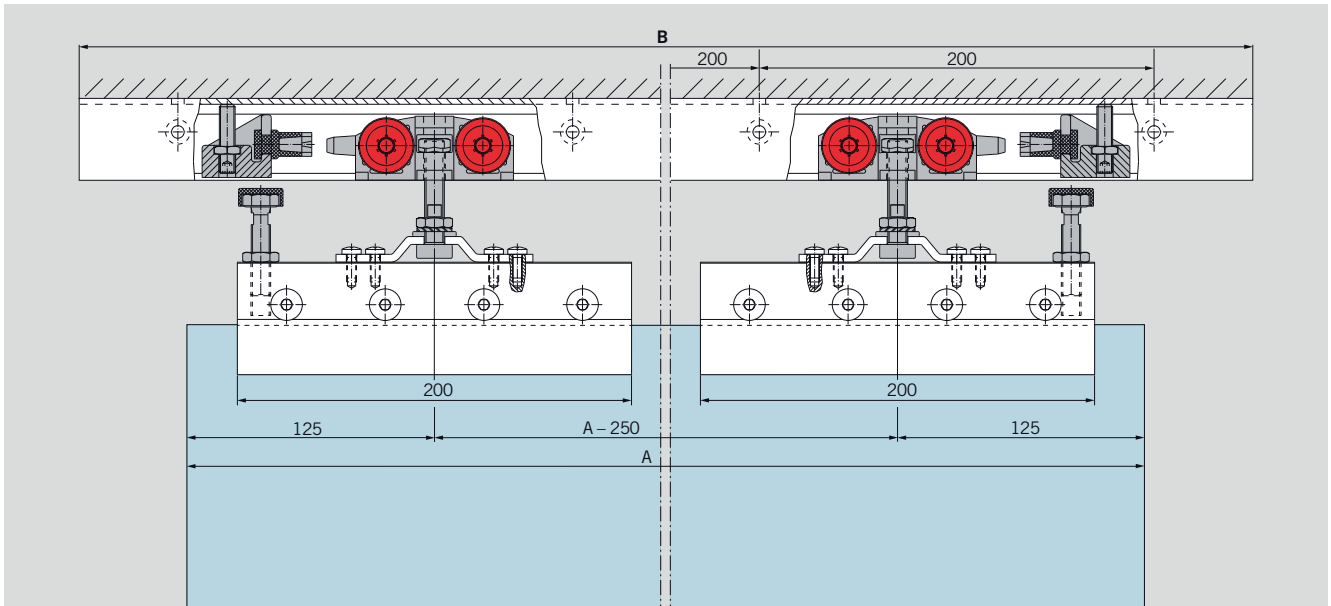
$$TH = LH - 90$$

(see drawing left hand)

TH = door height

LH = clear opening height

FITTING MODULES



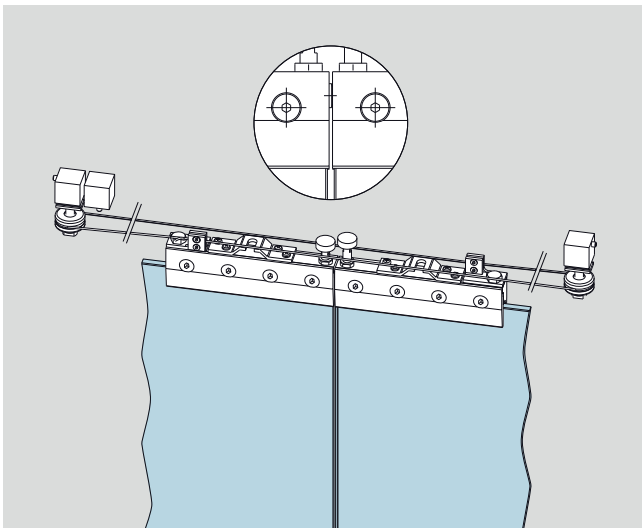
Sliding door gear RS 120

complete, consisting of
 1 track,
 2 carriers with clamping
 patches and support screw for
 8 and 10 mm glass thicknesses,
 2 end stops and
 1 floor guide.

Track length	1900	2900
B in mm		

Art. No.	07.101	07.102
-----------------	---------------	---------------

Weight in kg:	4.503	5.858
---------------	-------	-------



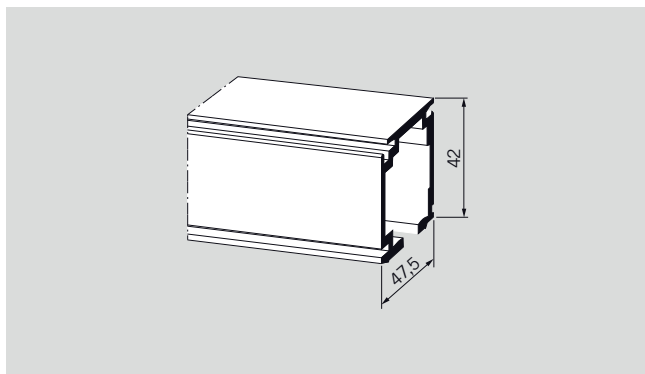
Sliding door gear RS 120 Syncro

For 2-panel synchronously
 opening system,
 max. panel width
 = 2 x 1000 mm,
 max. panel weight
 = 80 kg per panel,
 consisting of:
 2 x accessory set 07.125
 1 x deflection device incl. cable,
 adjustable

Art. No. 07.150

**Track, if necessary sidelight
 profile, cover profile + view
 protection profile have to be
 ordered separately
 (see page 72).**

COMPONENT PARTS RS 120/RS 120 SYNCRO



Track profile
prepared for top or side fixing

Art. No. 07.131
fixed length

Art. No. 07.121
stock length 6000 mm

Weight in kg/m: 1.355

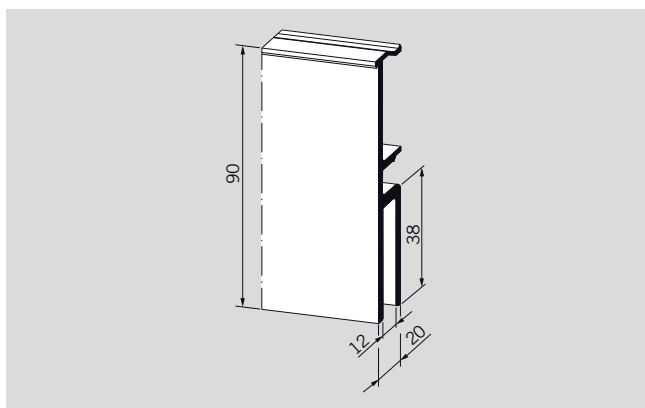


Cover profile
for clip attachment with
connecting web for view
protection profile 07.137/138

Art. No. 07.141
fixed length

Art. No. 07.140
stock length 6000 mm

Weight in kg/m: 0.826

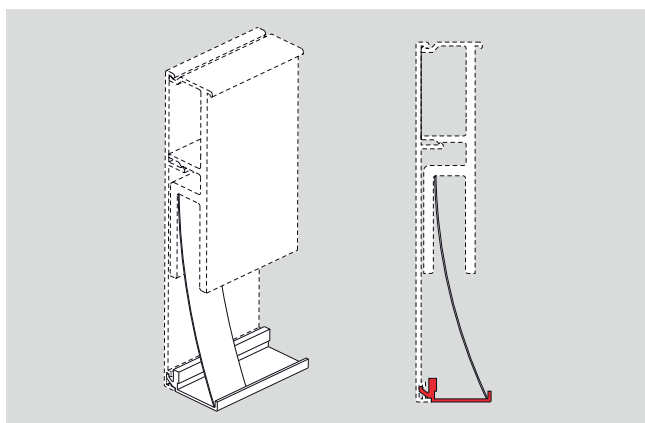


Sidelight profile
connectable to track,
non prepared

Art. No. 07.132
fixed length

Art. No. 07.122
stock length 6000 mm

Weight in kg/m: 1.680



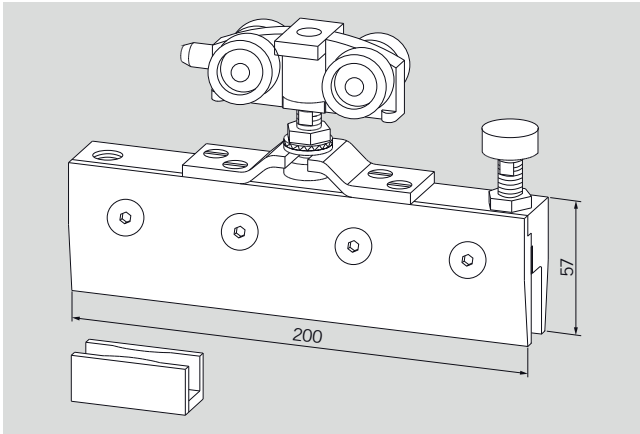
Bottom view protection profile
(only in combination with side-
light profile 07.132/122 and
cover profile 07.141/140)

Art. No. 07.137
fixed length

Art. No. 07.138
stock length 6000 mm

Weight in kg/m: 0.164

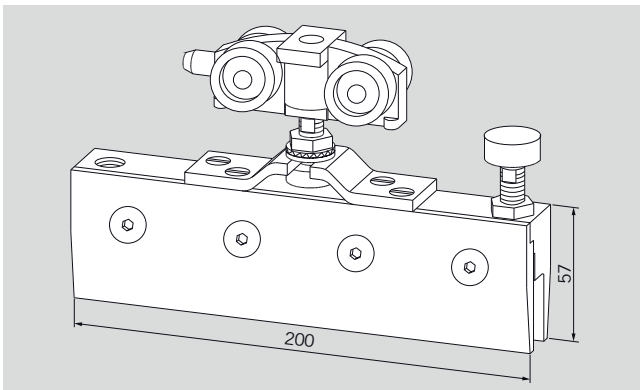
ACCESSORIES RS 120/RS 120 SYNCRO



Set of accessories

Art. No. 07.125

consisting of:
2 carriers with clamping patches (8 and 10 mm glass thicknesses) and support screw,
2 end stops with safety catch,
1 floor guide



Additional carrier with clamping patches

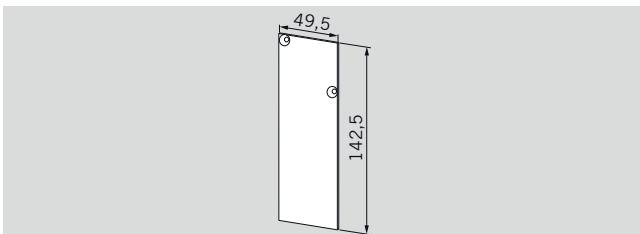
Art. No. 07.123

(8 and 10 mm glass thicknesses)
for max. panel weight 150 kg

Pair of intermediate aluminium plates

Art. No. 07.118

for 12 mm glass thickness
(for 2 clamping parts)
(not illustrated)

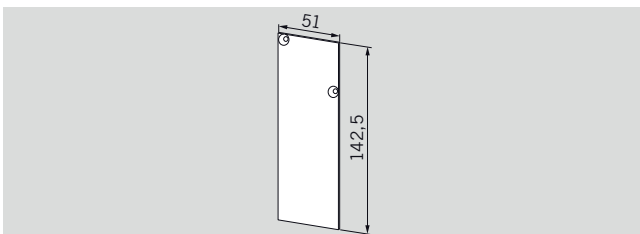


End cap

Art. No. 07.127

track connected to wall
left/right hand,
incl. screws

Weight in kg: 0.037

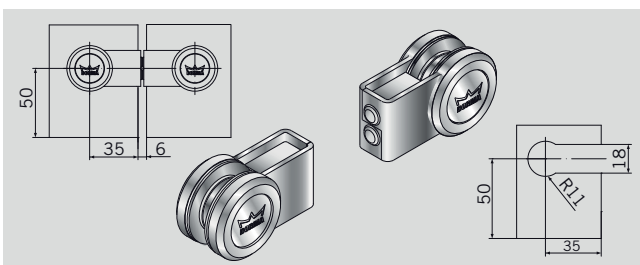


End cap

Art. No. 07.129

track connected to ceiling
left/right hand,
incl. screws

Weight in kg: 0.037

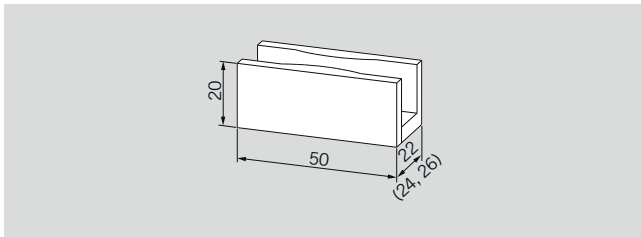


Spacer

Art. No. 29.420

for sliding doors that move in
opposite directions

FLOOR GUIDE

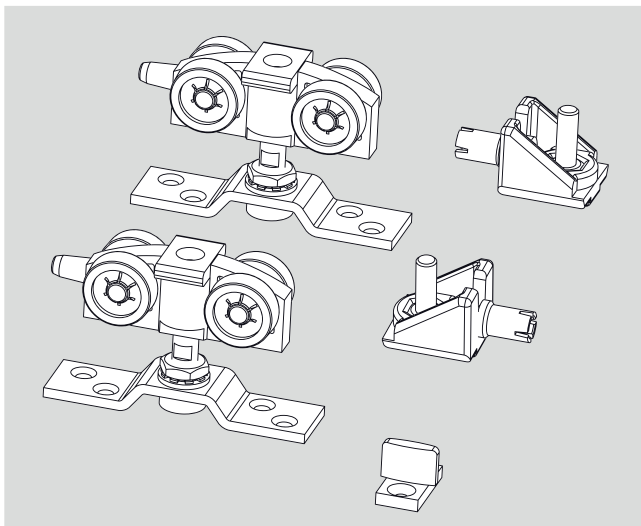


**Floor guide,
adjustable**

Art. No. 07.126
Weight in kg: 0.024

**For further accessories
see page 75–78.**

COMPONENT PARTS FOR RS 120 FOR TIMBER APPLICATIONS

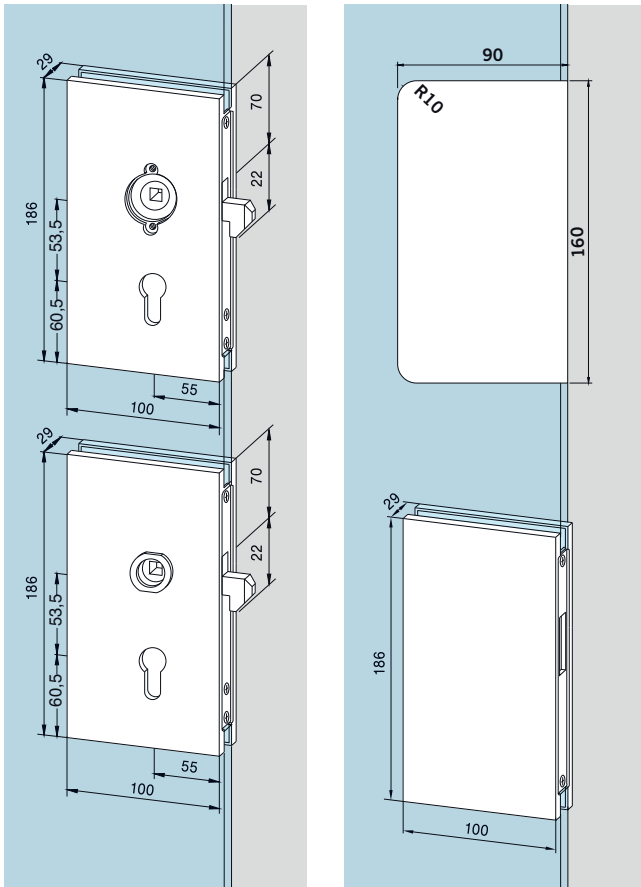


**RS 120 accessories for timber
applications**

Art. No. 07.135

consisting of:
2 carriers,
2 end stops with safety catch,
1 floor guide

LOCKS, U-PROFILES



Hook lock for sliding doors, nightlatch function, suitable for **aluminium lever handles with round roses** (10.307), prepared for Europrofile cylinder, left hand and right hand, with lock keeper plate

Art. No. 05.200

Weight in kg: aluminium 1.325

suitable for **lever handles with follower**

Art. No. 05.202

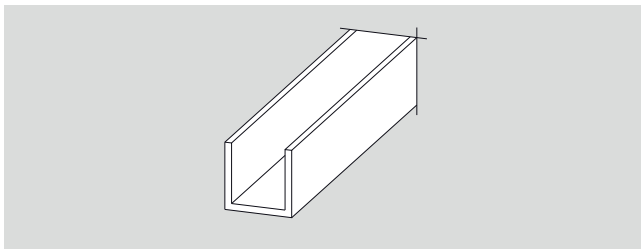
Weight in kg: aluminium 1.325

Strike box

to suit hook lock 05.200, 05.202, non-handed

Art. No. 05.201

Weight in kg: aluminium 0.890



U-profile

20 x 20 x 20 x 2 mm

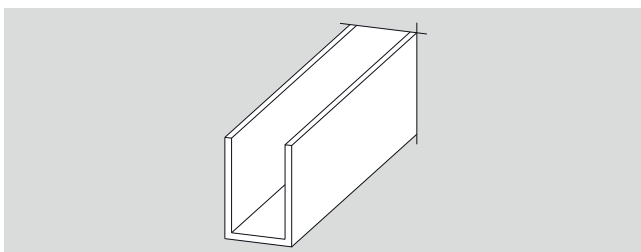
Art. No. 07.092

stock length 6000 mm

Art. No. 07.093

fixed length

Weight in kg/m: alumin. 0.336



U-profile

30 x 20 x 30 x 2 mm

Art. No. 07.097

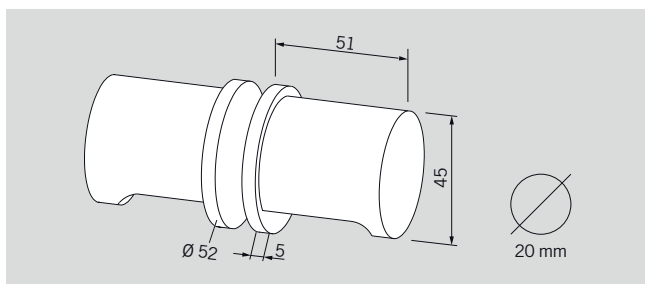
stock length 6000 mm

Art. No. 07.096

fixed length

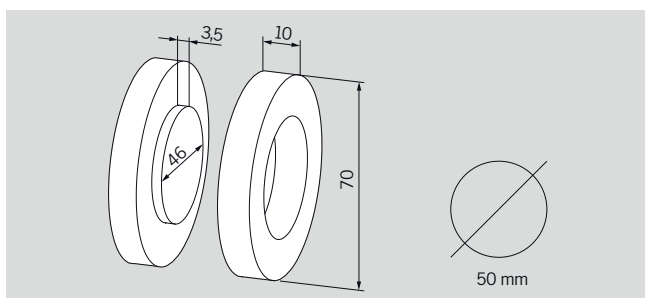
Weight in kg/m: alumin. 0.448

DOOR KNOB, FLUSH PULL, ARCOS HANDLE BAR



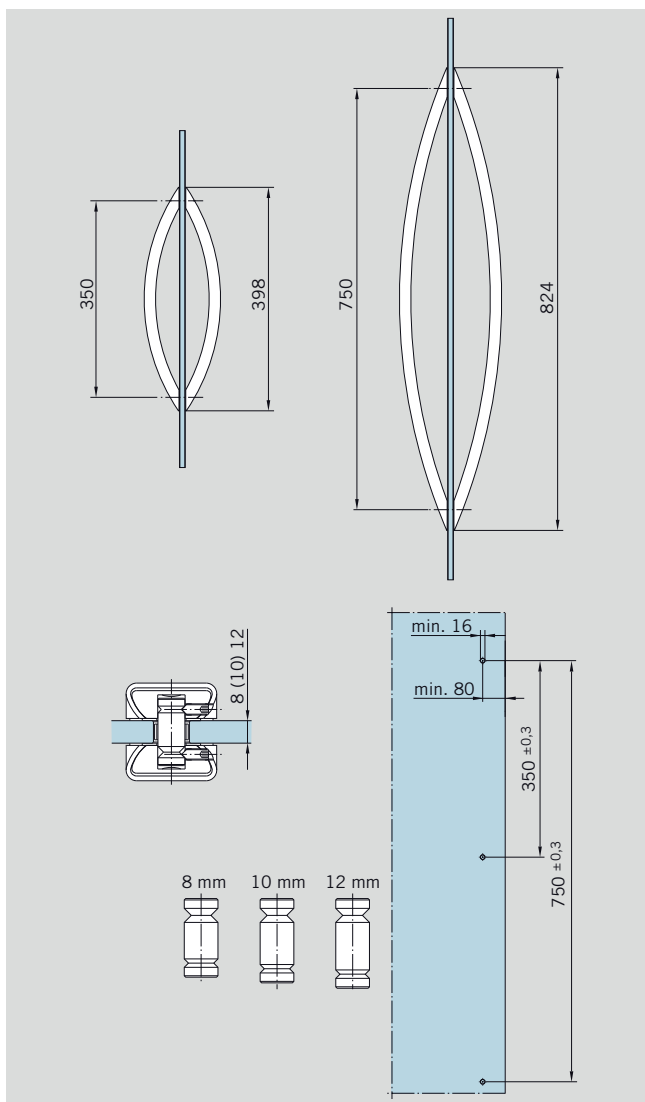
Door knob,
aluminium

Art. No. 07.201
Weight in kg: 0.400



Flush pull,
aluminium
to be glued onto the glass

Art. No. 07.200
Weight in kg: 0.072

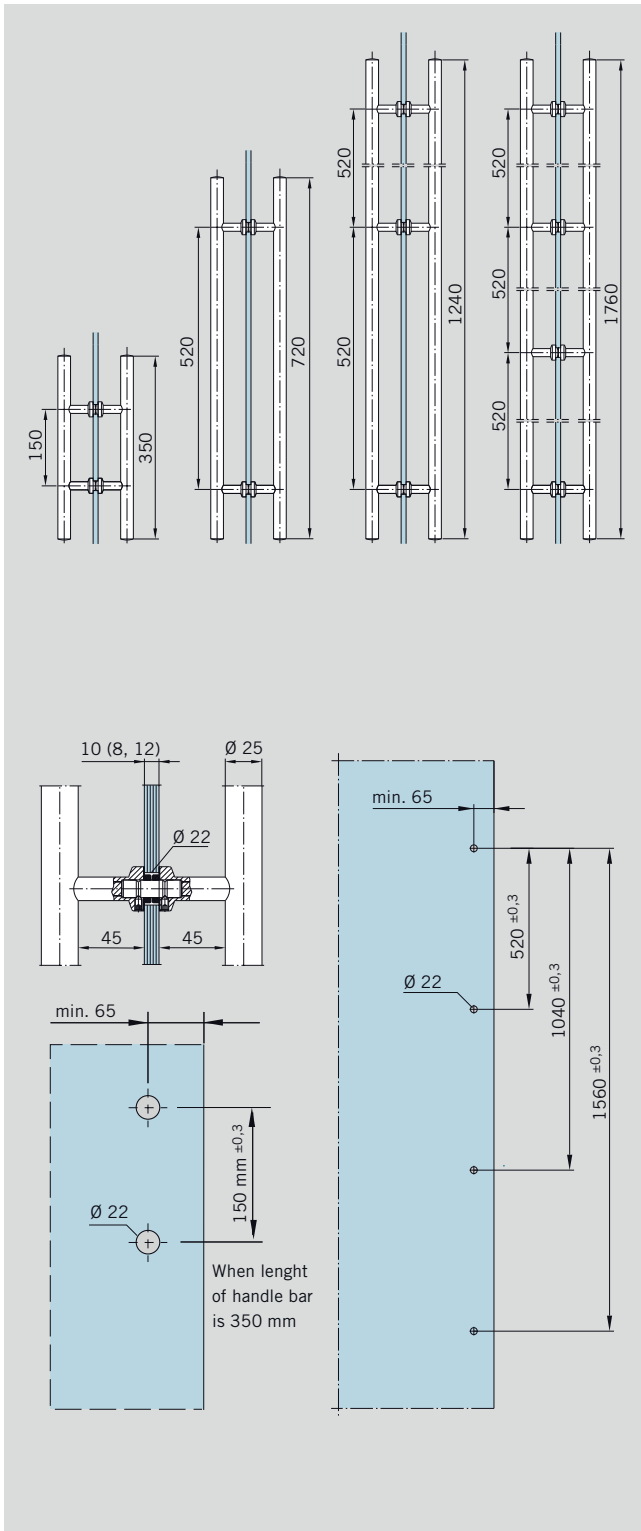


ARCOS handle bar
Satin stainless steel
or aluminum, for 8, 10 and
12 mm glass thicknesses

Art. No. 26.500
Length 350 mm
2 hole fixing

Art. No. 26.510
Length 750 mm
2 hole fixing

PAIR OF HANDLE BARS



**Pair of handle bars
satin stainless steel**
length 350 mm
2 hole fixing for 8, 10 and
12 mm glass thicknesses

Art. No. 21.267*
Weight in kg:
stainless steel 1.254

**Pair of handle bars
aluminium**
length 350 mm
2 hole fixing for 8, 10 and
12 mm glass thicknesses

Art. No. 03.400
Weight in kg: alumin. 1.326

**Pair of handle bars
satin stainless steel**
length 720 mm,
2 hole fixing for 8, 10 and
12 mm glass thicknesses

Art. No. 21.270*
Weight in kg:
stainless steel 1.947

**Pair of handle bars
aluminium**
length 720 mm
2 hole fixing for 8, 10 and
12 mm glass thicknesses

Art. No. 03.402
Weight in kg: alumin. 2.423

**Pair of handle bars
satin stainless steel**
length 1240 mm
3 hole fixing for 8, 10 and
12 mm glass thicknesses

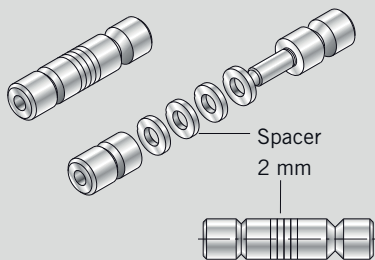
Art. No. 21.273*
Weight in kg:
stainless steel 3.400

**Pair of handle bars
satin stainless steel**
length 1760 mm
4 hole fixing for 8, 10 and
12 mm glass thicknesses

Art. No. 21.276*
Weight in kg:
stainless steel 5.000

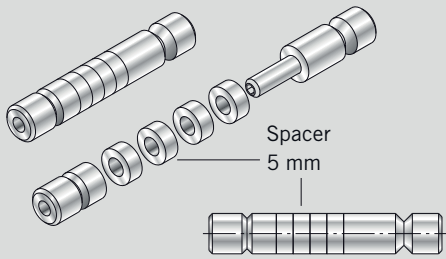
*Conversion sets for back to back pull handles for timber doors resp. other glass thicknesses see next page

CONVERSION SETS FOR BACK TO BACK PULL HANDLES



Glass doors

Glass thickness 13.5 mm:	without spacer
Glass thickness 15 mm:	with 1 spacer
Glass thickness 17.5 mm:	with 2 spacer
Glass thickness 19 mm:	with 3 spacer
Glass thickness 21.5 mm:	with 4 spacer



Timber doors

Door thickness 20 mm:	without spacer
Door thickness 25 mm:	with 1 spacer
Door thickness 30 mm:	with 2 spacer
Door thickness 35 mm:	with 3 spacer
Door thickness 40 mm:	with 4 spacer

**Conversion set
for glass doors,
back to back pull handles**
Glass thicknesses
13.5–21.5 mm

Art. No. 21.285

**Conversion set
for timber doors,
back to back pull handles**
Door thicknesses 20–40 mm

Art. No. 21.286

The printed colours indicating the surface finishes are not 100% true, but do provide a useful guide.

Statements made with regard to the nature or use of the products are for the purposes of description. Assent with regard to the existence of particular properties or particular uses always requires special written agreement. Pictures may show special designs which are different to the standard scope of delivery.

Subject to change without notice.



PLANNING TOOL



For planning of intelligent glass solutions we offer you several planning tools which allow you to create secure and professional solutions for any kinds of glass doors and toughend glass assemblies.

Your benefits:

- Easy to operate
- Professional and error-free preparation of offers
- Rapid response to incoming requests for quotations
- Highly reduced planning costs for time and money savings

The planning tools DGES and MANET COMPACT enable you to prepare designs and cost calculations quickly, reliably and professionally. The software provides you with all necessary documentation such as dimensioned technical drawings, glass sizes and preparation measures.

- DGES Fittings (for internal doors and toughend glass assemblies),
- DGES HSW (for horizontal sliding walls),
- MANET COMPACT planning tool (for MANET pivoting and sliding doors)

SAFETY-RELATED INFORMATION

Important safety-related information for the mounting and use of DORMA glass fittings. (Follow these instructions in addition to the mounting and operating instructions in order to avoid damage of product and damage to person or property.)

Important: All users have to be informed about relevant points mentioned in these safety-related information and the mounting and operating instructions!

General information

1. DORMA recommends using TSG-H (heat soaked toughened safety glass) to DIN EN 12150-1.
2. DORMA glass fittings are not suitable for application in rooms where chemicals (e. g. chlorine) are used such as indoor swimming pools, saunas or salt-water pools.
3. Never move sliding panels faster than walking speed and always stop the door manually before it reaches end position.
4. Do not shut swing doors with excessive force. Install door stop to prevent door from opening too far.

GENERAL CARE INSTRUCTIONS FOR THE FITTINGS

The surface finishes of the fittings are not maintenance-free and should be cleaned according to their material and design.

- For metallic surfaces (anodised finishes, stainless steel) please use appropriate cleaning agents without abrasive additives only.
- For varnished surfaces please use appropriate solvent-free cleaning agents only.

Mounting

1. Only properly qualified and specially trained staff is authorised to mount DORMA glass fittings.
2. Never use glass with conchoidal fractures and/or damaged edges.
3. Due to crushing hazards – among others in the area of the secondary closing edge – and possible injury caused by breakage of glass during mounting, corresponding protective clothing (especially gloves and protective goggles) is required.
4. Clean clamping area with fat solvent (standard commercial cleaning agent) before mounting the glass fitting.
5. Never use clamping shoes on structured glass surfaces (except on satined glass) or glass of heavily varying thickness unless with a corresponding levelling layer.
6. Never use clamping shoes on self-cleaning coatings.
7. When adjusting glass elements, always stick to the required clearance for the respective fitting. Adjust clearance so that the glass does not touch hard components such as glass, metal or concrete.
8. Make sure not to use excessive force when installing the glass (avoid local stress resulting from very tight screws).

Maintenance

Check fittings at regular intervals for proper positioning and smooth running and door for correct adjustment. Especially highly-frequented door systems require inspection by properly qualified staff (specialised companies or installation firms). Immediately replace damaged glass elements (no glass flaking and/or conchoidal fractures)!



DORMA GmbH+Co. KG
DORMA Platz 1
58256 ENNEPETAL
GERMANY
Phone +49 2333 793-0
Fax +49 2333 793-4950
www.dorma.com

DORMA-Glas GmbH
Max-Planck-Straße 33-45
32107 BAD SALZUFLEN
GERMANY
Phone +49 5222 924-100
Fax +49 5222 924-3100
www.dorma.com